



UPGRADE KIT: Contains a new door operator motor, SmarTRAQ drive unit and appropriate mounting hardware.

- How many upgrade kits do you need? \_\_\_\_\_
- Existing door operator manufacturer: \_\_\_\_\_ Model: \_\_\_\_\_
- Fill out the job, contractor, and shipping information below and fax this page to MCE at (916) 638 1418

**IF YOU NEED ADDITIONAL COMPONENTS, complete and submit all three pages of this survey form.**

**CAR SIDE**

**CAR SIDE**

	QTY	COST
Base Door Operator.....	_____ @ \$1578 =	_____
2 Spd Drv Arm Lnk (SSL Only)	_____ @ \$38 =	_____
Track,Hanger,Rollers, Header...	_____ per quote =	_____
Clutch.....	_____ @ \$109 =	_____
Clutch w/Restrictor.....	_____ @ \$215 =	_____
Mounting Plate.....	_____ @ \$22.50=	_____
Slave Door Drive Assembly.....	_____ @ \$30.50 =	_____
Mounting Plate.....	_____ @ \$8 =	_____

	QTY	COST
Gate Switch.....	_____ @ \$43 =	_____
IR Detector, Janus Pana 40.....	_____ @ \$381 =	_____
Door Position Monitor Switch.....	_____ @ \$56 =	_____

DPM required: ANSI A17.1 1998 & 2000, and CSA.

**HATCH SIDE**

**HATCH SIDE**

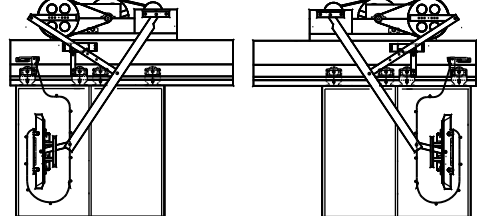
	QTY	COST
Track,Hanger w/ roller assembly	_____ per quote =	_____
Hall Door Interlock Assembly.....	_____ @ \$70 =	_____
Pick Up Roller Mounting Plate...	_____ @ \$8 =	_____

	QTY	COST
Sngl Spd Door Closer. Sill, w/spring	_____ @ \$61 =	_____
2-spd Door Closer, Sill, w/spring....	_____ @ \$77 =	_____
2-spd Door Closer, Sill.....	_____ @ \$69 =	_____
Spirator Closer.....	_____ @ \$39 =	_____

Select door operator mounting orientation and (if center parting) car door clutch location

SIDE SLIDE

OPERATOR

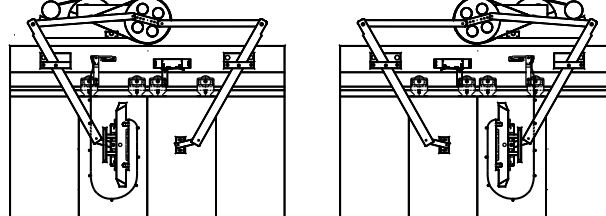


LEFT HAND

RIGHT HAND

CENTER PART

PICK OPERATOR ORIENTATION



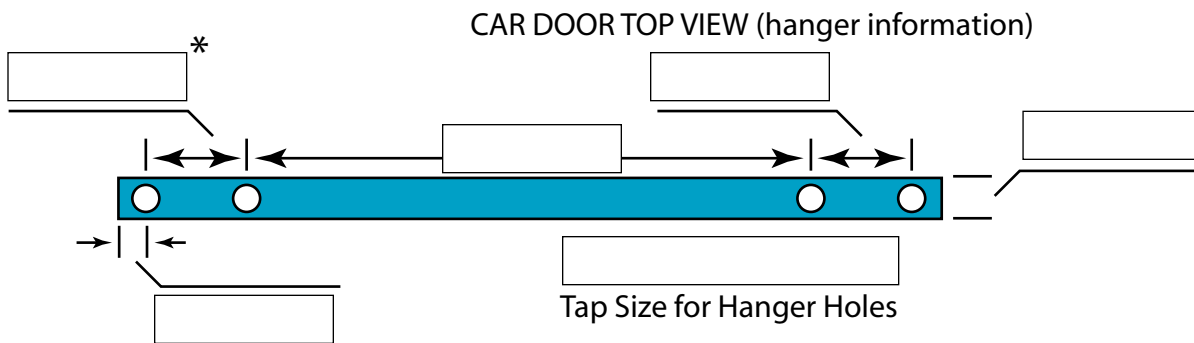
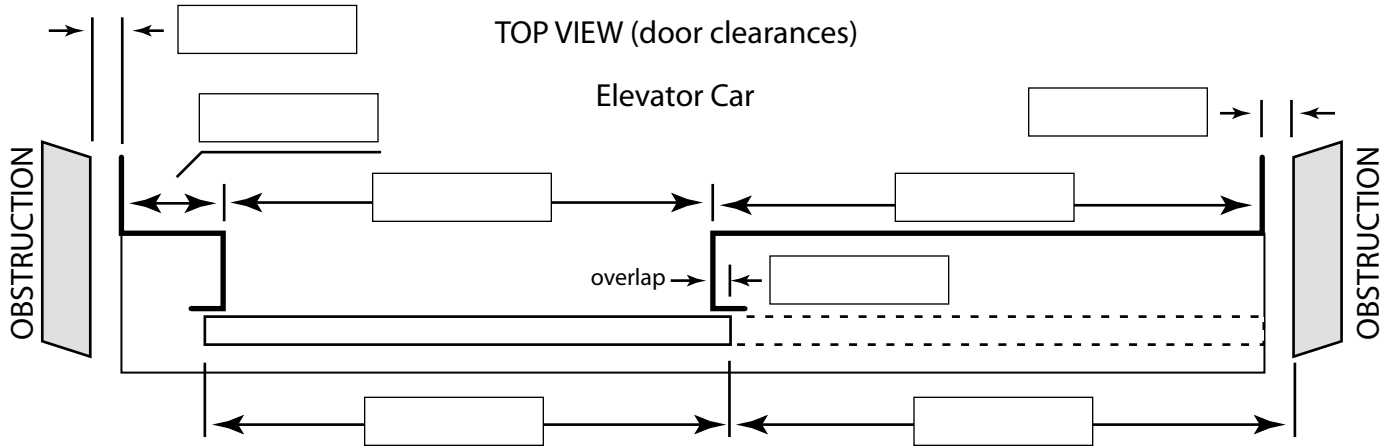
PICK DOOR FOR CLUTCH LOCATION

VIEW FROM HALL

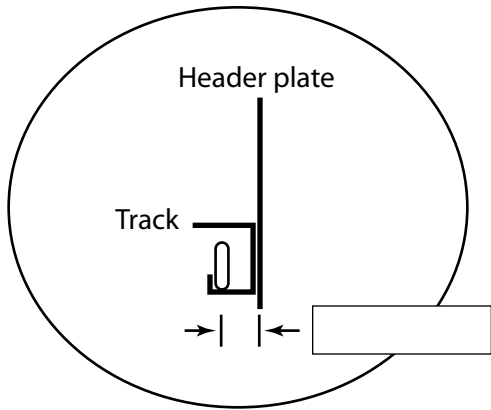
Job name: \_\_\_\_\_  
 Customer Job #: \_\_\_\_\_  
 Purchase order #: \_\_\_\_\_  
 Requested ship date: \_\_\_\_\_  
 Todays date: \_\_\_\_\_  
 Ship To: \_\_\_\_\_  
 Contact Name: \_\_\_\_\_  
 Phone #: \_\_\_\_\_ Fax #: \_\_\_\_\_  
 Street Address: \_\_\_\_\_  
 City: \_\_\_\_\_ State: \_\_\_\_\_ Zip: \_\_\_\_\_  
 24-hour notice needed?  Lift gate truck needed?

Contractor: \_\_\_\_\_  
 Contact Name: \_\_\_\_\_  
 Phone #: \_\_\_\_\_ Fax #: \_\_\_\_\_  
 Street Address: \_\_\_\_\_  
 City: \_\_\_\_\_ State: \_\_\_\_\_ Zip: \_\_\_\_\_  
 E Mail Address: \_\_\_\_\_  
 FORM COMPLETED BY:  
 Name: \_\_\_\_\_  
 Company: \_\_\_\_\_  
 Phone #: \_\_\_\_\_ Fax #: \_\_\_\_\_  
 Signature: \_\_\_\_\_  
 E Mail Address: \_\_\_\_\_

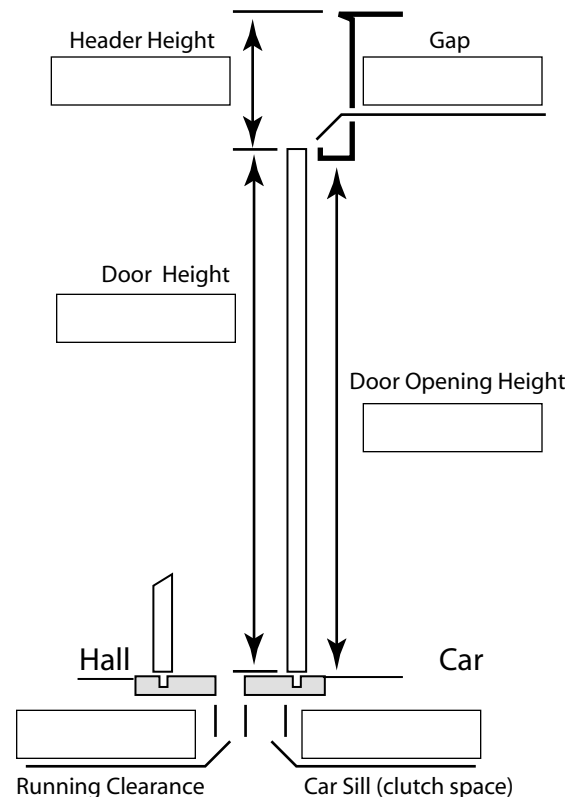
If you are ordering car-mounted products beyond the upgrade kit, please complete this page.



\* Standard center to center dimension for MCE door hangers is 4 1/8". An adapter is used to accommodate other center to center dimensions. If adapters are used, the door track must be raised 1/2" to compensate.

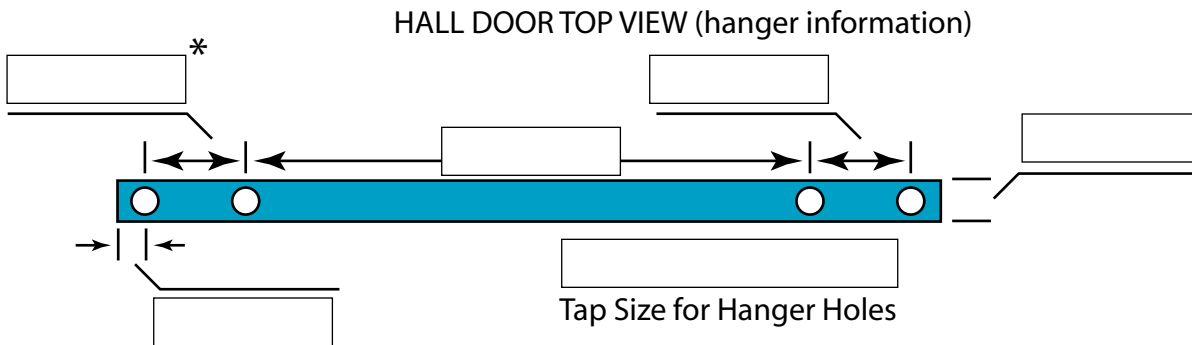
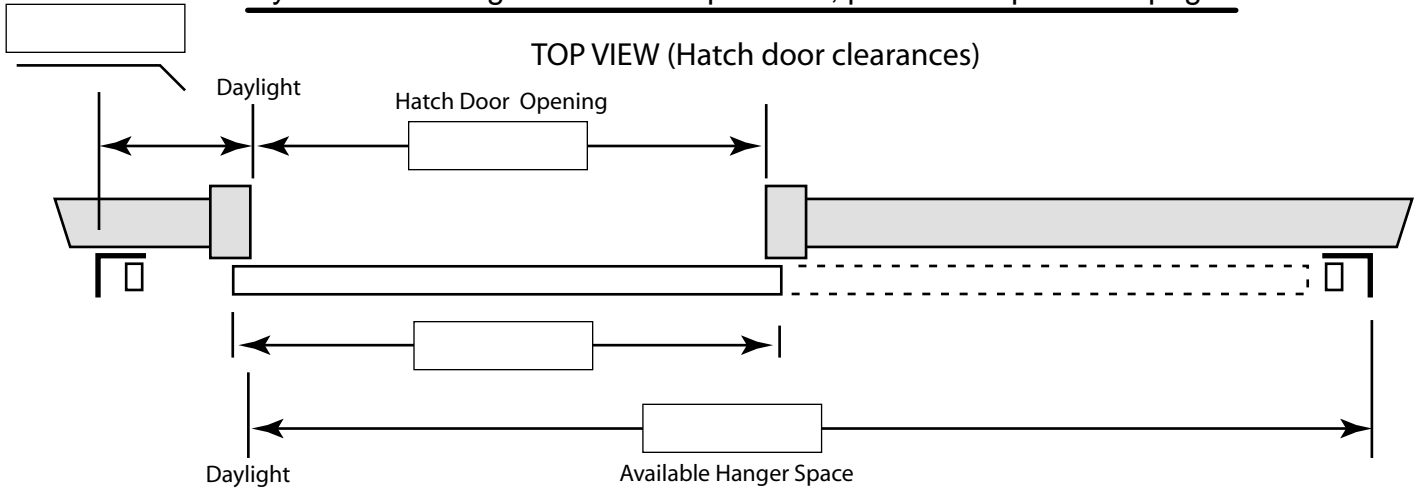


FROM EXISTING INSTALLATION  
 If applicable

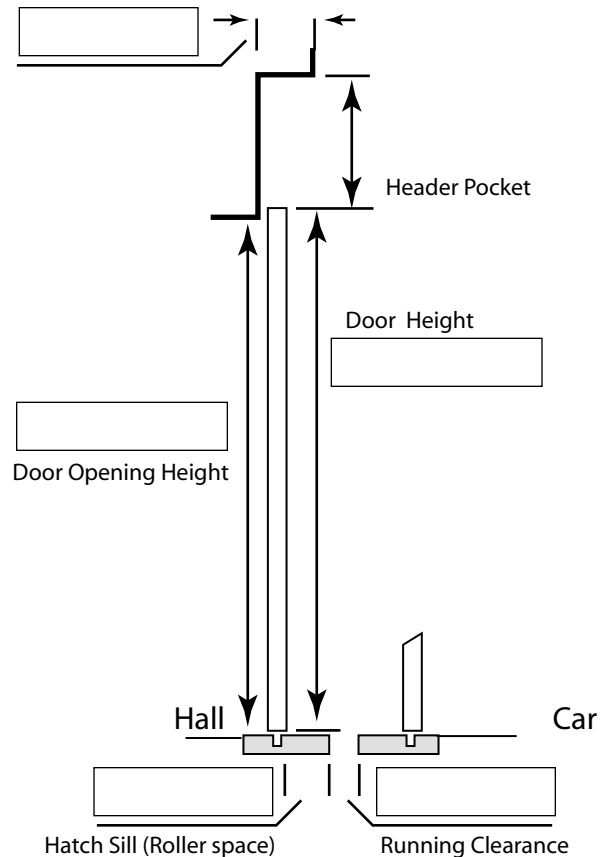
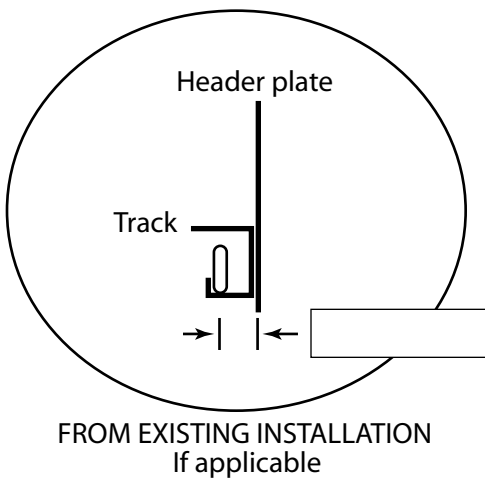


Job Name: \_\_\_\_\_

If you are ordering hall-mounted products, please complete this page.



\* Standard center to center dimension for MCE door hangers is 4 1/8". An adapter is used to accommodate other center to center dimensions. If adapters are used, the door track must be raised 1/2" to compensate.



Job Name: \_\_\_\_\_