



Motion Control Engineering
 Voice: 916 463 9200
 Fax: 916 463 9201

iControl Traction Engineering Survey Form

Page 1 of 10

Doc #:42-FR-0449 A1 (JER117)
 www.nidec-mce.com

LOGISTICS INFORMATION

MCE to complete shaded area

MCE Job Number:	Date Received:
Job Name:	Job Engineer:

In order to better serve you and meet your schedule, this form must be completed and signed. Timely delivery and trouble-free installation begins with this data form. Accurate and complete information is essential. Non-response to a question will be defined as meaning that the item does not apply.

Job Type

- | | | |
|---|---|---|
| <input type="checkbox"/> Federal Government | <input type="checkbox"/> State Government | <input type="checkbox"/> Other Government |
| <input type="checkbox"/> School or University | <input type="checkbox"/> Courthouse | <input type="checkbox"/> Hospital |
| <input type="checkbox"/> Office Building | <input type="checkbox"/> Private | <input type="checkbox"/> Jail / Prison |
| <input type="checkbox"/> Other | | |

Site & Contact Information

Site Address
Owner Representative
Print Name:
Signature:
Title:
Business Phone:
Cell Phone:
eMail:
Address:

Consultant Information

Business Name:
Contact Name:
Business Phone:
Cell Phone:
eMail:
Address:

Form Completed By

Name:
Business Phone:
Cell Phone:
eMail:
Address:

Contractor Information

Business Name:
Contact Name:
Business Phone:
Cell Phone:
eMail:
Address:

Shipping Information

Ship To Address:	
Notice Required:	<input type="checkbox"/> 24 hrs <input type="checkbox"/> 48 hrs
Lift Gate Truck Required:	<input type="checkbox"/> Yes <input type="checkbox"/> No



Motion Control Engineering
Voice: 916 463 9200
Fax: 916 463 9201

iControl Traction Engineering Survey Form

Page 2 of 10

Doc #:42-FR-0449 A1 (JER117)
www.nidec-mce.com

LOGISTICS & CODE DATA

Logistics Information (continued)

Delivery & Payment Schedule

Standard MCE terms of payment (net 30 days) apply to your order. If you require special terms of payment, please provide an Alternative Payment Schedule.

Per state tax laws, it is critical that MCE receive exemption or resale certificates prior to the material being shipped and billed. If the job is a tax exempt job, send the exemption certificate with this form. If you are a resale customer and have a resale certificate, please make sure that the MCE accounting department has a copy on file.

Customer Job Number:		
Customer PO Number:		
Job Name:		
Number of cars:		
Control	Delivery Date	Payment Date
Car " "		
Car " "		
Car " "		
Car " "		
Car " "		
Car " "		
Car " "		
Car " "		
Group " "		

Delivery & Payment Schedule

If different payment terms are required, please provide an alternative proposal. Please include specifics of building owner payments and provide a copy of your contract.

Alternative Proposal Provided: Yes No
Contract Attached: Yes No

Job Push-Outs and Cancellation

Jobs pushed out by the customer more than 90 days beyond the originally scheduled date may be subject to cancellation charges as follows:

- * Before engineering commences: 10% of total sales order
- * After engineering completed: 30% of total sales order
- * After construction completed: 75% of total sales order

Extra Documentation

If this job requires additional engineering drawing packages or additional manuals, please indicate below.

<input type="checkbox"/> Drawing Sets	# Required:
<input type="checkbox"/> Manuals	# Required:

Elevator Safety Code Compliance

Accurate information is essential. Both hardware and software are affected.

Job Location (City/State):	
Contract Date:	
Project Type: <input type="checkbox"/> New Construction <input type="checkbox"/> Modernization	
Elevator Duty: <input type="checkbox"/> Passenger <input type="checkbox"/> Service <input type="checkbox"/> Freight	
Measurements: <input type="checkbox"/> U.S./Imperial <input type="checkbox"/> S.I./Metric	
North American Compliance: <input type="checkbox"/> U.S. <input type="checkbox"/> Canada	
ASME A17.1/B44 Edition:	
<input type="checkbox"/> 2013 <input type="checkbox"/> 2010 <input type="checkbox"/> 2007 <input type="checkbox"/> 2004 <input type="checkbox"/> 2000	
Addenda/Supplements: <input type="checkbox"/> 2008(a) <input type="checkbox"/> 2005(a) <input type="checkbox"/> 2002(a) (None for A17.1-2010 and later) <input type="checkbox"/> 2009(b) <input type="checkbox"/> 2005(S) <input type="checkbox"/> 2003(b)	
<input type="checkbox"/> ASME A17.1-1996/98	
<input type="checkbox"/> ASME A17.1- (Specify edition & addenda)	
International compliance:	
<input type="checkbox"/> Australia AS 1735	
<input type="checkbox"/> EN 81	
<input type="checkbox"/> Other (Specify):	
Additional jurisdictional code compliance:	
<input type="checkbox"/> California medical facility OSHPD Seismic Certification (additional charge for certified cabinet)	
<input type="checkbox"/> Chicago Chapter 18-30	
<input type="checkbox"/> Denver <input type="checkbox"/> Pressurized hoistway	
<input type="checkbox"/> GSA	
<input type="checkbox"/> Hawaii	
<input type="checkbox"/> Houston, TX <input type="checkbox"/> Existing Door Reopen Button, Fire Phase I	
<input type="checkbox"/> Maryland	
<input type="checkbox"/> Michigan <input type="checkbox"/> Permit/contract date prior to 6/21/2010?	
<input type="checkbox"/> Nebraska	
<input type="checkbox"/> New York City, NY <input type="checkbox"/> Appendix K <input type="checkbox"/> RS-18	
<input type="checkbox"/> Seattle, Washington	<input type="checkbox"/> Multiple Phase I Switches
<input type="checkbox"/> Washington State	# of 3-position: _____ # of 2-position: _____
<input type="checkbox"/> TSSA <input type="checkbox"/> Collapsible Car Top Guard Rail	
<input type="checkbox"/> Additional Compliance Requirements? Explain:	

Job Specification

Does project have job specifications?	<input type="checkbox"/> Yes <input type="checkbox"/> No
If yes, number of pages: _____	
Have specifications been forwarded to MCE?	<input type="checkbox"/> Yes <input type="checkbox"/> No

Type of Operation

<input type="checkbox"/> Simplex	
Home Landing#: _____	Floor Label: _____
<input type="checkbox"/> Groupless Automatic (iComm-Connect w/o iCue)	
<input type="checkbox"/> Group Automatic (iCentral w/ enhanced iCue)	
Number of Cars: _____ Number of Hall Call Risers: _____	
Lobby Landing #1: _____	Floor Label: _____
Lobby Landing #2: _____	Floor Label: _____
<input type="checkbox"/> Swing Car Operation Car(s): _____ <input type="checkbox"/> Activated by keyswitch Switch location: <input type="checkbox"/> Car <input type="checkbox"/> Hall <input type="checkbox"/> Autoswing (<input type="checkbox"/> w/ keyswitch)	
iCentral Group to Controller Ethernet Cable Lengths: <input type="checkbox"/> 5' <input type="checkbox"/> 10' <input type="checkbox"/> 25' <input type="checkbox"/> 50' <input type="checkbox"/> 75' <input type="checkbox"/> 100' <input type="checkbox"/> 150' Standard 25 ft. Measure distance from group control (iCentral) to most distant iControl, add 10 ft. for inside cabinet connections. Order one cable for each iControl in the group. There is no daisy chaining. Each control will communicate directly with the group.	
Destination-Based Dispatching? <input type="checkbox"/> Yes <input type="checkbox"/> No <input type="checkbox"/> Lobby Boost <input type="checkbox"/> Full DBD	
Cross Cancellation/Registration Panel (iCue required)* Temporary hall call panel used during modernization process when existing dispatcher and MCE dispatcher are to operate simultaneously as one dispatching system.	
<input type="checkbox"/> Cross Registration	<input type="checkbox"/> Cross Cancellation
*Copy of the existing hall call schematics must be provided. Existing Hall Call Bus Voltage: _____ <input type="checkbox"/> AC <input type="checkbox"/> DC Existing control type: <input type="checkbox"/> Relay logic <input type="checkbox"/> Microprocessor	

Fire Service Operation

<input type="checkbox"/> Fire Service Phase I	
Main Landing #:	Floor Label:
Doors will open: <input type="checkbox"/> Front <input type="checkbox"/> Rear	
Phase 1 Switch is: <input type="checkbox"/> 2-position <input type="checkbox"/> 3-position	
Alternate Landing #:	Floor Label:
Doors will open: <input type="checkbox"/> Front <input type="checkbox"/> Rear	
NOTE: For flood hazard zones , the designated and alternate fire recall floors should be at or above the base flood elevation.	
Additional 2-position switch: <input type="checkbox"/> Yes <input type="checkbox"/> No	
For Federal jobs, location of additional 2-position switch:	
Landing #: _____	Floor Label: _____
Hoistway sensors: <input type="checkbox"/> At or below lower level of recall <input type="checkbox"/> Above lower level of recall	
<input type="checkbox"/> "Elevator Control Panel" (Chicago High Rise only)	
<input type="checkbox"/> Fire Service Phase II	
Type of switch: <input type="checkbox"/> 3-position <input type="checkbox"/> 2-position	
Call Cancel Button: <input type="checkbox"/> Yes <input type="checkbox"/> No	
Additional Fire Operation Requirements for Nassau County NY, Detroit MI, or GSA/Federal Jurisdictions: <input type="checkbox"/> Shunt Trip Delay <input type="checkbox"/> Heat Detectors: (<input type="checkbox"/> MR <input type="checkbox"/> HW <input type="checkbox"/> Each floor)	

Operating Features

Attendant Service: <input type="checkbox"/> Yes <input type="checkbox"/> No Annunciator Panel in Car (Monitoring Hall Calls Registered): <input type="checkbox"/> Yes <input type="checkbox"/> No	
Car to Lobby Switch: <input type="checkbox"/> Yes <input type="checkbox"/> No Recall Landing: _____ Floor Label: _____ Park with doors: <input type="checkbox"/> Open <input type="checkbox"/> Closed Location of switch: <input type="checkbox"/> Car <input type="checkbox"/> Hall	
Earthquake Service: <input type="checkbox"/> Yes <input type="checkbox"/> No Code Compliance: <input type="checkbox"/> ASME <input type="checkbox"/> California (Group II) Machine Type: <input type="checkbox"/> Traction <input type="checkbox"/> Winding Drum	
<input type="checkbox"/> Seismic switch <input type="checkbox"/> By MCE <input type="checkbox"/> By Customer <input type="checkbox"/> C/W derailment device <input type="checkbox"/> By MCE <input type="checkbox"/> By Customer <input type="checkbox"/> Earthquake light / buzzer <input type="checkbox"/> Car to operate on fire or hospital service	
Emergency Power Operation: <input type="checkbox"/> Yes <input type="checkbox"/> No Does generator power cars from other banks? <input type="checkbox"/> Yes <input type="checkbox"/> No If so, is sequential lowering required amongst elevators from different banks? <input type="checkbox"/> Yes (Overlay req'd) <input type="checkbox"/> No Number of cars allowed to run simultaneously: _____ Split or multiple power feeders to the elevators? <input type="checkbox"/> Yes <input type="checkbox"/> No Status of EP contact during normal power: <input type="checkbox"/> Open <input type="checkbox"/> Closed Power pre-transfer contact – 10 sec minimum: <input type="checkbox"/> Yes <input type="checkbox"/> No <input type="checkbox"/> Manual Selector Switch Number of positions: _____ Labels: _____ Is switch located at the designated level in view of all elevator entrances? <input type="checkbox"/> Yes <input type="checkbox"/> No (Indicator req'd)	
Emergency Medical Technician (EMT) Service: <input type="checkbox"/> Yes <input type="checkbox"/> No	
Flood Operation: <input type="checkbox"/> Yes <input type="checkbox"/> No Lowest landing that the car can go in an event of a flood: Landing: _____ Floor Label: _____ NOTE: The designated and alternate fire recall floors should be at or above this level.	
Hospital Service (Code Blue): <input type="checkbox"/> Yes <input type="checkbox"/> No Which Cars Used: _____ Floors Served: _____ In car activation: <input type="checkbox"/> Keyswitch <input type="checkbox"/> Other <input type="checkbox"/> None In car indicators: <input type="checkbox"/> Yes <input type="checkbox"/> No	
Independent Service: <input type="checkbox"/> Yes <input type="checkbox"/> No Key switch location: <input type="checkbox"/> Hall <input type="checkbox"/> Car	
Sabbath Operation: <input type="checkbox"/> Yes <input type="checkbox"/> No	
Timed Fan Light Output: <input type="checkbox"/> Yes <input type="checkbox"/> No Used to turn cab fan/lights off after a user-adjustable length of time (5 to 10 minutes) if the car is at a floor on automatic operation with the doors closed and no demand.	

Inspection/Access Requirements

Car Top Inspection Station by MCE (NEMA 1 only) Yes No

Extended Shaft Car Top Inspection Yes No
(Bypasses 1st set of directional & final limits to move the car further up the hoistway during car top inspection; 2nd set of directional & final limits required, along with a separate multi-pole switch on car top complying with A17.1, 2.26.4.3.)

Hoistway Access Operation Yes No
Top access switch: Yes No
Switch location: Front Rear
Bottom access switch: Yes No
Switch location: Front Rear
In-car Access switch must be 2-position type (OFF/ENABLE).

In-Car Inspection Switch: Yes No
In-car Inspection switch must be 2-position type (INSP/NORM).
In-car inspection using separate up/down buttons: Yes No

Load Weighing and Related Operating Modes

EMCO Rope Tension Load Weigher

EMCO Rope Tension Load Weigher, Car: _____
Number of ropes: 4 5 6 7 8
Roping: 1:1 2:1
Rope diameter: 10mm 1/2 in 9/16in 5/8 in
If additional cars use same roping, and more load weighers are required, indicate quantity here: _____
If car roping varies, provide information for each car below.

EMCO Rope Tension Load Weigher, Car: _____
Number of ropes: 4 5 6 7 8
Roping: 1:1 2:1
Rope diameter: 10mm 1/2 in 9/16in 5/8 in

EMCO Rope Tension Load Weigher, Car: _____
Number of ropes: 4 5 6 7 8
Roping: 1:1 2:1
Rope diameter: 10mm 1/2 in 9/16in 5/8 in

EMCO Rope Tension Load Weigher, Car: _____
Number of ropes: 4 5 6 7 8
Roping: 1:1 2:1
Rope diameter: 10mm 1/2 in 9/16in 5/8 in

Other Load Weighing Devices:

LW-MCEIP (Isolated Platform type required)

K-Tech Strain Gauge (from MCE)

K-Tech Strain Gauge (from other) Model: _____

Other Load Weigher Brand: _____ Model: _____

Discrete Load Weigher (Dry Contact Interface)

Light load (Antinuisance)

Heavy load (Hall call bypass)

Overload

Machine Room Monitoring (iVIEW):

iView is a graphical user interface used to configure, adjust, and troubleshoot the iControl platform. It can also be used for simple machine room monitoring. It is typically used in a machine room environment adjacent to the control equipment.
When utilizing an iCentral-Cue, the iVIEW component of the iControl is built into the group dispatching enclosure.
Monitor size: 17"LCD (Std) Other(_____)
Machine room Printer required: Yes No
If an iCOMM-CONNECT is being used, the iVIEW component supplied is not enclosed into any cabinet or enclosure.

Remote Monitoring (iMonitor/iReport/BMS/IDS)

Remote Monitoring Required: Yes No
Controller to be monitored by system that is: New Existing
Monitor size: 17"LCD (Std) Other(_____)
Computer Type: Desktop(Std) Laptop
Remote Access Hardware Features: (optional)
 Ethernet Hyper Extender VPN Router

Monitoring Application:

iMonitor (Campus View iLobby)
 iReport (Printer required: Yes No)
 IDS Liftnet
 BMS (Building Management System)
JACE Interface required: Yes No
Existing Communication protocol:
 Ethernet BACnet LONworks Modbus

Monitoring system indicated is to be located at:

Security Room Engineer's / Building Manager's Office
 Concierge Desk Other

Security

Security Devices

Car Call Cutouts: Yes No
 Card Reader Dry Contact
Contact Rating: 120VAC (Std) 24VDC Other
 Keyed floor lockout switches
Switch Location: Car Hall
Number of switches: _____
 Car Call Code using Car Pushbuttons

Hall Call Cutouts: Yes No
 Card Reader Dry Contact
Contact Rating: 120VAC (Std) 24VDC Other
 Keyed floor lockout switches
Switch Location: Car Hall
Number of switches: _____

Door Control Options During Security:

Allow Door Open Button to operate after doors closed at a secure floor? Yes No
Car allowed to park at secured floor? Yes No

Bypass Security? (Fire Service to bypass per code)

Independent Service Attendant Service
 Hospital Service Other (_____)

Special Security Features:

Jail Security *

Deputy/Marshal Service*
 Remote Car Station Control

Evacuation Service *

Other * (_____)

* additional details must be provided

Child / Infant Abduction / Bracelet Operation

Number of landings with detection device: _____
At which landings:
Landing #: _____ Floor Label: _____
Allow car to continue to run if not at affected landing:
 Yes No

General Information

Line Voltage
Rated: _____ Measured: _____ 60 Hz 50 Hz
 AC 3 Phase (Symmetrical or Grounded Leg Delta*)
 AC 2 Phase AC Single Phase DC
 * Isolation Transformer required
Other Power Related Features:
 Add isolation transformer: Yes No
 Isolation Transformer Sequential Start: Yes No
 TVSS (Surge suppressor) required: Yes No
NOTE: The maximum controller SCCR (Short Circuit Current Rating) is 10kA. If available fault current exceeds 10kA, an isolation transformer will be required. Please notify MCE.
 Reduced Stroke Buffers: Yes No
 Buffer rating: _____ fpm Buffer stroke: _____ inches
 Counterweight safety Yes No
 Governor tail sheave dislodged switch (OSHPD) Yes No
 Jawless governor (tail sheave limit sw. req'd) Yes No
 Suspension-Means Monitoring (req'd for A17.1-2010 and later)
 Steel wire ropes ≥ 8mm (Standard)
 Steel wire ropes < 8mm *
 Suspension means other than steel wire ropes *
 * For non-standard suspension means, the customer must provide the Broken Suspension Member (2.20.8.2) or Suspension Member Residual Strength (2.20.8.3) monitoring means, including a normally closed contact.
Controller Type
 iControl AC (AC Regenerative Drive Req'd? Yes No) (Quattro Drive Required? Yes No)
 iControl DC (Quattro Drive Required? Yes No)

Machine and Brake

Machine Existing New New by MCE
 Brand: _____
 Machine location: Overhead Basement MRL
 Geared Ring & Worm Helical
 External Tandem
 Gearless AC PM AC Induction DC
 Roping: 1:1 2:1
For MRL Applications:
 Battery Backup Passenger Rescue with Video
 Remote Governor Set / Reset
 Coil Voltage: _____ AC DC
Brake Existing New Brand: _____
 DC Brake (AC Brake control is not available for iControl)
 Voltage: Pick: _____ Hold: _____
 Coil Resistance: _____ Measured Data Sheet
 Hot Cold
 Contact on Brake: Yes No
 Type: N/O N/C
 Machine Blower: Yes No
 Voltage: _____ Phase: _____ FLA: _____

Emergency Brake

ASME A17.1-2000/CSA B44-00 or later requires the addition of an emergency brake on all new traction elevators, per 2.19. Also note that some alterations may trigger the requirement to add an emergency brake as well, depending on the Code edition (e.g., change in type of service, operation or motion control; increase in rated load or speed; changing the location of or replacing the driving machine; or replacing the motion controller).
 Hollister Whitney Rope Gripper Thyssen Sheave Brake
 Bode Rope Brake Other (_____)
 Secondary/Independent Brake on machine
 Power Supply of Brake: 120VAC (Std) Other
 If other, please specify: Voltage: _____ FLA: _____

Hoist Motor

Variable Frequency AC
 Existing New New by MCE
 Brand: _____ HP: _____
 Voltage: _____ FLA: _____ # Poles: _____
 Sync RPM: _____ FL RPM: _____ Frequency: _____
 For 2-speed motors, measure the high speed winding.
 Other name plate data: _____
Variable Voltage DC
 Existing New New by MCE
 Brand: _____ HP: _____
 Voltage: _____ FLA: _____ RPM: _____
 Other name plate data: _____
 Shunt Field Voltage:
 Forcing: _____ Full Speed: _____ Standing: _____
 Shunt Field Resistance: _____ (ohms)
 Measured Data Sheet # of coils: _____
 Series Series/Parallel
 Hot Cold
 Loop Circuit Armature Voltage while running:
 (measured on motor brushes):
 Up empty car: _____ VDC at speed: _____
 Down empty car: _____ VDC at speed: _____
 Loop Circuit Current while running:
 Up empty car: _____ Amps at speed: _____
 Down empty car: _____ Amps at speed: _____
Velocity Feedback Device
 By MCE By Customer
 Analog Tachometer (Mount: Flange Foot)
 If gearless;
 Drive sheave diameter: _____ (in)
 Diameter of surface to run tach: _____ (in)
 Digital Velocity Encoder (shaft driven device)
 Encoder cable length _____ (ft)

Door Information

Car Gate

Automatic passenger style doors
 Powered freight style doors
 Manual doors
 Other: _____

Gate Release Solenoid (not standard) Yes No
Voltage: ___ AC 3-Phase AC 1-Phase DC
Current/Fuse size: 2A 3A Other: _____

Hoistway Doors

Automatic passenger style doors
 Powered freight style doors
 Manual doors (complete below)
 Other: _____ (complete below)
Interlock brand and model: _____
Closed contact Yes No
Locked contact Yes No
Door locking cam
 Retiring
(not driven by automatic passenger style car gate)
Voltage: _____ AC 3-Ph AC 1-Ph DC
Current / Fuse size: 2A 3A Other: _____
 Fixed cam
 Bar lock (manually operated)
 Mechanical
(driven by automatic passenger style car gate)

Door Features

Infrared detector unit/photo eye
 Cut-out switch in COP
 Anti-Nuisance

Mechanical safety edge

Heavy doors at landings (at which floor(s)): _____

Dual door operators on same side for wide opening

Cartop door open/close buttons
(non solid state door operators)

Door Hold Operation (Non-Fire Operation)
 Pushbutton Switch
If momentary, maximum hold time = 120 seconds

Nudging
 Reduced torque with buzzer
 Buzzer only
 Ignore photo eye after _____ second interval
If _____ If safety edge or door open button activated, doors should:
 Stop Re-open

Door open button Front Rear

Door close button Front Rear

Automatic Passenger Style Doors

MCE
 SmarTraq Complete (Complete SmarTraq data forms)
 SmarTraq Upgrade
(Upgrades existing operator to closed loop. Mark existing model below.)

GAL
 MOVFR I
 MOVFR II
Voltage: 220VAC 110VAC
(220 is default if no selection made)
 MOMVC/MOHVC MOM/MOH
 MOD (230V) MOSVCL
 MOD (115V) MOPM-P/MOPM-PL
 MODHA MOCT/MOCTA/MODCT/
MOMCT/MOHCT
Motor Voltage: 220 110
Logic Voltage: 220 110

MAC/Kone
 PM-SSC/104 Board MAC (old style)
 AMD/Kone

TKE/Dover
 HD03M HDLM
 HD68/70/73/91
 HD98/85 (Requires SmarTraq upgrade kit)

Otis
 6970A – Resistance 6970A – Reactance
 7300 A7770A
 7782AA OVL
 iMotion 1 & 2 AT400

ECI
 895/1000 VFE2500
 2000
Voltage: 220VAC 115VAC
(220 is default if no selection made)

Other
 IPC Encore (closed loop) Mitsubishi LV1/4K
 Delco (closed loop) Schindler QKS 14 & 15
 Atlantic/Vertisys Model:
 Other (wiring diagram required):

Powered Freight Style Doors

Door Controller Model

Peelle New Existing
Model: _____ (electrical schematic required)

Courion New Existing
Model: _____ (electrical schematic required)

EMS New Existing
Model: _____ (electrical schematic required)

Other New Existing
Model: _____ (electrical schematic required)

Door Operation (freight only)

Opening: Automatic Momentary pressure

Closing: Automatic Momentary pressure
 Constant pressure

Fire Ph. I Closing: Automatic Momentary pressure
 Constant pressure

Fixture Information

Auxiliary Car Station Yes No
Total Number of Car Stations in each car:
 1 2 3 4

Call Registration Indicators
Car: Incandescent LED
Voltage: _____ AC DC
Hall: Incandescent LED
Voltage: _____ AC DC

Serial Link
Call pushbuttons must be mechanical and fixtures must be 24VDC, 6 Watt maximum.

Car Calls (Optional – boards to be located behind car station)
 Hall Calls (Standard – board located in each hall p/b station)

Serial fixture boards to be sent to fixture manufacturer / contractor for pre-wire? Yes (If so, indicate where below) No
Ship serial boards to::
 C.E. Electronics EPCO Dupar
 Innovation Industries Monitor MAD
 ERM PTL
 Elevator Contractor Office
Please indicate Contact Person / Number in Special Notes below
Which boards to be sent?: COP Hall Station

Lanterns:
 Hall Car (Indicate # of Jamb arrows: _____)
Lantern Signal Format:
 Serial (3-Wire Microcom type)
 Discrete
Indicator: Voltage: _____ AC DC
Bulb wattage: _____

 Gongs: Voltage: _____ AC DC
 Chimes: Voltage: _____ AC DC

Passing Floor Gong or Chime: Yes No
Passing Floor Gong Signal Format:
 Serial (3-Wire Microcom type)
 Discrete
Fixture Voltage: _____ AC DC
Passing floor enable (S) button: Yes No

Voice Annunciation Yes No
(Required for car speeds above 200 FPM)
Annunciator device provided by: CE Electronics
 E-Motive
 Other: _____
Annunciator Signal Format:
 Serial (3-Wire Microcom type)
 Discrete (One line per floor or Binary)

Special Notes:
Enter here

Status Indicators

Type	Volts	AC	DC
Attendant Light/Buzzer	_____	<input type="checkbox"/>	<input type="checkbox"/>
Attendant Service Annunciator Panel Indicators	_____	<input type="checkbox"/>	<input type="checkbox"/>
Call Registration Buzzer	_____	<input type="checkbox"/>	<input type="checkbox"/>
Door Closing Warning Buzzer	_____	<input type="checkbox"/>	<input type="checkbox"/>
Door Hold Light	_____	<input type="checkbox"/>	<input type="checkbox"/>
Door Left Open Bell	_____	<input type="checkbox"/>	<input type="checkbox"/>
Earthquake Light / Buzzer	_____	<input type="checkbox"/>	<input type="checkbox"/>
EMT Service Light (Car, Hall)	_____	<input type="checkbox"/>	<input type="checkbox"/>
Emergency Power Light	_____	<input type="checkbox"/>	<input type="checkbox"/>
Fire Light / Buzzer	_____	<input type="checkbox"/>	<input type="checkbox"/>
Hospital Light / Buzzer	_____	<input type="checkbox"/>	<input type="checkbox"/>
In-Service Light	_____	<input type="checkbox"/>	<input type="checkbox"/>
In-Use Light	_____	<input type="checkbox"/>	<input type="checkbox"/>
Load Status Light	_____	<input type="checkbox"/>	<input type="checkbox"/>
Nudging Buzzer	_____	<input type="checkbox"/>	<input type="checkbox"/>
Other: _____	_____	<input type="checkbox"/>	<input type="checkbox"/>
Other: _____	_____	<input type="checkbox"/>	<input type="checkbox"/>

Position Indicators

MCE C.E. Electronics Serial Interface Driver (MicroComm)
 MCE E-Motive Serial Interface Driver
 Other Serial Fixture Driver (Please provide details)

Serial PI fixtures located in: Car Hall
If hall, indicate landing #: _____ Floor label: _____

Discrete Multi-Light
 Car with direction arrows
Voltage: _____ AC DC
 Hall with direction arrows
Voltage: _____ AC DC
At landing #: _____ Floor label: _____

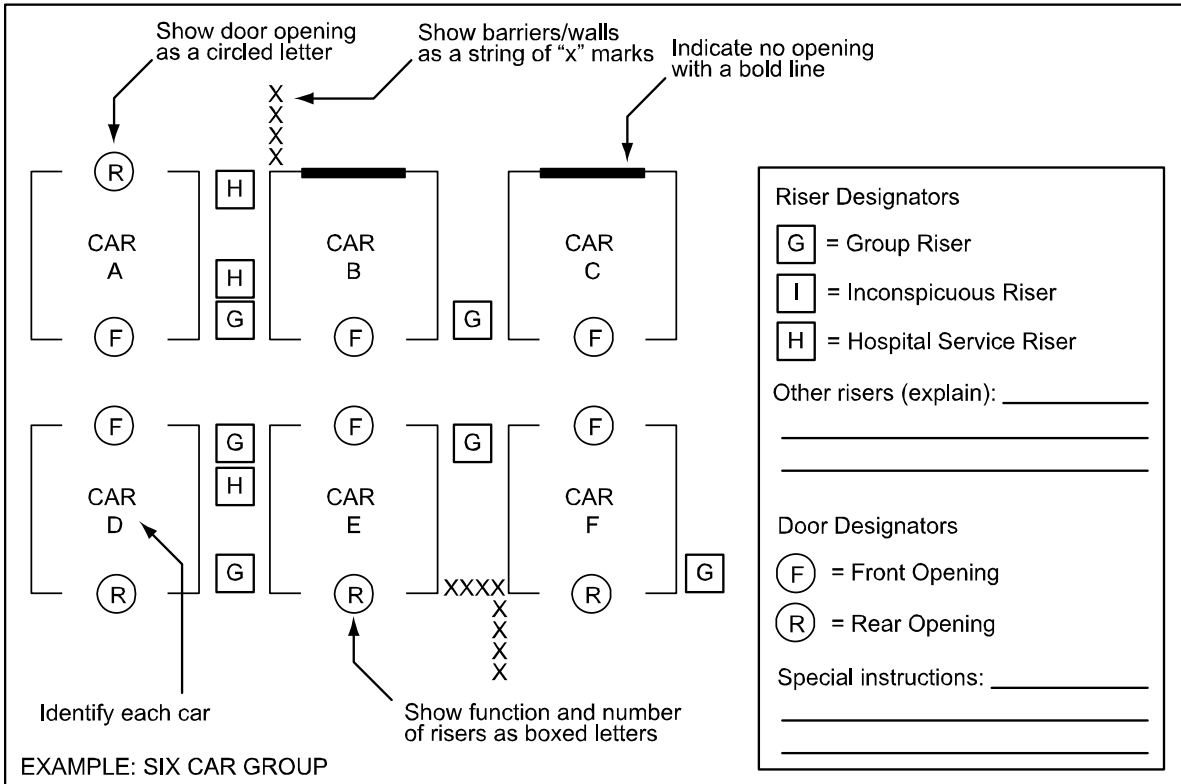
Discrete Digital Brand & Model: _____
 Car _____ with direction arrows
 Hall _____ with direction arrows
At landing #: _____ Floor Label: _____
Signal Format:
 One line per floor
 Binary (Code begins at 1st landing 00 01)
 Grey Code
Signal Voltage:
 120VAC (Standard)
 24VDC
 Other
Voltage: _____ AC DC
If DC, common is: Positive Negative

Landings & Openings

If more than 32 landings and/or 10 cars, please use additional sheets.

Ldg #	Floor Label	Floor Height	Car		Car		Car		Car		Car		Car		Car		Car		Car			
			F	R	F	R	F	R	F	R	F	R	F	R	F	R	F	R	F	R		
O.H.																						
32			<input type="checkbox"/>	<input type="checkbox"/>	<input type="checkbox"/>	<input type="checkbox"/>	<input type="checkbox"/>	<input type="checkbox"/>	<input type="checkbox"/>	<input type="checkbox"/>	<input type="checkbox"/>	<input type="checkbox"/>	<input type="checkbox"/>	<input type="checkbox"/>	<input type="checkbox"/>	<input type="checkbox"/>	<input type="checkbox"/>	<input type="checkbox"/>	<input type="checkbox"/>	<input type="checkbox"/>	<input type="checkbox"/>	
31			<input type="checkbox"/>	<input type="checkbox"/>	<input type="checkbox"/>	<input type="checkbox"/>	<input type="checkbox"/>	<input type="checkbox"/>	<input type="checkbox"/>	<input type="checkbox"/>	<input type="checkbox"/>	<input type="checkbox"/>	<input type="checkbox"/>	<input type="checkbox"/>	<input type="checkbox"/>	<input type="checkbox"/>	<input type="checkbox"/>	<input type="checkbox"/>	<input type="checkbox"/>	<input type="checkbox"/>	<input type="checkbox"/>	
30			<input type="checkbox"/>	<input type="checkbox"/>	<input type="checkbox"/>	<input type="checkbox"/>	<input type="checkbox"/>	<input type="checkbox"/>	<input type="checkbox"/>	<input type="checkbox"/>	<input type="checkbox"/>	<input type="checkbox"/>	<input type="checkbox"/>	<input type="checkbox"/>	<input type="checkbox"/>	<input type="checkbox"/>	<input type="checkbox"/>	<input type="checkbox"/>	<input type="checkbox"/>	<input type="checkbox"/>	<input type="checkbox"/>	
29			<input type="checkbox"/>	<input type="checkbox"/>	<input type="checkbox"/>	<input type="checkbox"/>	<input type="checkbox"/>	<input type="checkbox"/>	<input type="checkbox"/>	<input type="checkbox"/>	<input type="checkbox"/>	<input type="checkbox"/>	<input type="checkbox"/>	<input type="checkbox"/>	<input type="checkbox"/>	<input type="checkbox"/>	<input type="checkbox"/>	<input type="checkbox"/>	<input type="checkbox"/>	<input type="checkbox"/>	<input type="checkbox"/>	
28			<input type="checkbox"/>	<input type="checkbox"/>	<input type="checkbox"/>	<input type="checkbox"/>	<input type="checkbox"/>	<input type="checkbox"/>	<input type="checkbox"/>	<input type="checkbox"/>	<input type="checkbox"/>	<input type="checkbox"/>	<input type="checkbox"/>	<input type="checkbox"/>	<input type="checkbox"/>	<input type="checkbox"/>	<input type="checkbox"/>	<input type="checkbox"/>	<input type="checkbox"/>	<input type="checkbox"/>	<input type="checkbox"/>	
27			<input type="checkbox"/>	<input type="checkbox"/>	<input type="checkbox"/>	<input type="checkbox"/>	<input type="checkbox"/>	<input type="checkbox"/>	<input type="checkbox"/>	<input type="checkbox"/>	<input type="checkbox"/>	<input type="checkbox"/>	<input type="checkbox"/>	<input type="checkbox"/>	<input type="checkbox"/>	<input type="checkbox"/>	<input type="checkbox"/>	<input type="checkbox"/>	<input type="checkbox"/>	<input type="checkbox"/>	<input type="checkbox"/>	
26			<input type="checkbox"/>	<input type="checkbox"/>	<input type="checkbox"/>	<input type="checkbox"/>	<input type="checkbox"/>	<input type="checkbox"/>	<input type="checkbox"/>	<input type="checkbox"/>	<input type="checkbox"/>	<input type="checkbox"/>	<input type="checkbox"/>	<input type="checkbox"/>	<input type="checkbox"/>	<input type="checkbox"/>	<input type="checkbox"/>	<input type="checkbox"/>	<input type="checkbox"/>	<input type="checkbox"/>	<input type="checkbox"/>	
25			<input type="checkbox"/>	<input type="checkbox"/>	<input type="checkbox"/>	<input type="checkbox"/>	<input type="checkbox"/>	<input type="checkbox"/>	<input type="checkbox"/>	<input type="checkbox"/>	<input type="checkbox"/>	<input type="checkbox"/>	<input type="checkbox"/>	<input type="checkbox"/>	<input type="checkbox"/>	<input type="checkbox"/>	<input type="checkbox"/>	<input type="checkbox"/>	<input type="checkbox"/>	<input type="checkbox"/>	<input type="checkbox"/>	
24			<input type="checkbox"/>	<input type="checkbox"/>	<input type="checkbox"/>	<input type="checkbox"/>	<input type="checkbox"/>	<input type="checkbox"/>	<input type="checkbox"/>	<input type="checkbox"/>	<input type="checkbox"/>	<input type="checkbox"/>	<input type="checkbox"/>	<input type="checkbox"/>	<input type="checkbox"/>	<input type="checkbox"/>	<input type="checkbox"/>	<input type="checkbox"/>	<input type="checkbox"/>	<input type="checkbox"/>	<input type="checkbox"/>	
23			<input type="checkbox"/>	<input type="checkbox"/>	<input type="checkbox"/>	<input type="checkbox"/>	<input type="checkbox"/>	<input type="checkbox"/>	<input type="checkbox"/>	<input type="checkbox"/>	<input type="checkbox"/>	<input type="checkbox"/>	<input type="checkbox"/>	<input type="checkbox"/>	<input type="checkbox"/>	<input type="checkbox"/>	<input type="checkbox"/>	<input type="checkbox"/>	<input type="checkbox"/>	<input type="checkbox"/>	<input type="checkbox"/>	
22			<input type="checkbox"/>	<input type="checkbox"/>	<input type="checkbox"/>	<input type="checkbox"/>	<input type="checkbox"/>	<input type="checkbox"/>	<input type="checkbox"/>	<input type="checkbox"/>	<input type="checkbox"/>	<input type="checkbox"/>	<input type="checkbox"/>	<input type="checkbox"/>	<input type="checkbox"/>	<input type="checkbox"/>	<input type="checkbox"/>	<input type="checkbox"/>	<input type="checkbox"/>	<input type="checkbox"/>	<input type="checkbox"/>	
21			<input type="checkbox"/>	<input type="checkbox"/>	<input type="checkbox"/>	<input type="checkbox"/>	<input type="checkbox"/>	<input type="checkbox"/>	<input type="checkbox"/>	<input type="checkbox"/>	<input type="checkbox"/>	<input type="checkbox"/>	<input type="checkbox"/>	<input type="checkbox"/>	<input type="checkbox"/>	<input type="checkbox"/>	<input type="checkbox"/>	<input type="checkbox"/>	<input type="checkbox"/>	<input type="checkbox"/>	<input type="checkbox"/>	
20			<input type="checkbox"/>	<input type="checkbox"/>	<input type="checkbox"/>	<input type="checkbox"/>	<input type="checkbox"/>	<input type="checkbox"/>	<input type="checkbox"/>	<input type="checkbox"/>	<input type="checkbox"/>	<input type="checkbox"/>	<input type="checkbox"/>	<input type="checkbox"/>	<input type="checkbox"/>	<input type="checkbox"/>	<input type="checkbox"/>	<input type="checkbox"/>	<input type="checkbox"/>	<input type="checkbox"/>	<input type="checkbox"/>	
19			<input type="checkbox"/>	<input type="checkbox"/>	<input type="checkbox"/>	<input type="checkbox"/>	<input type="checkbox"/>	<input type="checkbox"/>	<input type="checkbox"/>	<input type="checkbox"/>	<input type="checkbox"/>	<input type="checkbox"/>	<input type="checkbox"/>	<input type="checkbox"/>	<input type="checkbox"/>	<input type="checkbox"/>	<input type="checkbox"/>	<input type="checkbox"/>	<input type="checkbox"/>	<input type="checkbox"/>	<input type="checkbox"/>	
18			<input type="checkbox"/>	<input type="checkbox"/>	<input type="checkbox"/>	<input type="checkbox"/>	<input type="checkbox"/>	<input type="checkbox"/>	<input type="checkbox"/>	<input type="checkbox"/>	<input type="checkbox"/>	<input type="checkbox"/>	<input type="checkbox"/>	<input type="checkbox"/>	<input type="checkbox"/>	<input type="checkbox"/>	<input type="checkbox"/>	<input type="checkbox"/>	<input type="checkbox"/>	<input type="checkbox"/>	<input type="checkbox"/>	
17			<input type="checkbox"/>	<input type="checkbox"/>	<input type="checkbox"/>	<input type="checkbox"/>	<input type="checkbox"/>	<input type="checkbox"/>	<input type="checkbox"/>	<input type="checkbox"/>	<input type="checkbox"/>	<input type="checkbox"/>	<input type="checkbox"/>	<input type="checkbox"/>	<input type="checkbox"/>	<input type="checkbox"/>	<input type="checkbox"/>	<input type="checkbox"/>	<input type="checkbox"/>	<input type="checkbox"/>	<input type="checkbox"/>	
16			<input type="checkbox"/>	<input type="checkbox"/>	<input type="checkbox"/>	<input type="checkbox"/>	<input type="checkbox"/>	<input type="checkbox"/>	<input type="checkbox"/>	<input type="checkbox"/>	<input type="checkbox"/>	<input type="checkbox"/>	<input type="checkbox"/>	<input type="checkbox"/>	<input type="checkbox"/>	<input type="checkbox"/>	<input type="checkbox"/>	<input type="checkbox"/>	<input type="checkbox"/>	<input type="checkbox"/>	<input type="checkbox"/>	
15			<input type="checkbox"/>	<input type="checkbox"/>	<input type="checkbox"/>	<input type="checkbox"/>	<input type="checkbox"/>	<input type="checkbox"/>	<input type="checkbox"/>	<input type="checkbox"/>	<input type="checkbox"/>	<input type="checkbox"/>	<input type="checkbox"/>	<input type="checkbox"/>	<input type="checkbox"/>	<input type="checkbox"/>	<input type="checkbox"/>	<input type="checkbox"/>	<input type="checkbox"/>	<input type="checkbox"/>	<input type="checkbox"/>	
14			<input type="checkbox"/>	<input type="checkbox"/>	<input type="checkbox"/>	<input type="checkbox"/>	<input type="checkbox"/>	<input type="checkbox"/>	<input type="checkbox"/>	<input type="checkbox"/>	<input type="checkbox"/>	<input type="checkbox"/>	<input type="checkbox"/>	<input type="checkbox"/>	<input type="checkbox"/>	<input type="checkbox"/>	<input type="checkbox"/>	<input type="checkbox"/>	<input type="checkbox"/>	<input type="checkbox"/>	<input type="checkbox"/>	
13			<input type="checkbox"/>	<input type="checkbox"/>	<input type="checkbox"/>	<input type="checkbox"/>	<input type="checkbox"/>	<input type="checkbox"/>	<input type="checkbox"/>	<input type="checkbox"/>	<input type="checkbox"/>	<input type="checkbox"/>	<input type="checkbox"/>	<input type="checkbox"/>	<input type="checkbox"/>	<input type="checkbox"/>	<input type="checkbox"/>	<input type="checkbox"/>	<input type="checkbox"/>	<input type="checkbox"/>	<input type="checkbox"/>	
12			<input type="checkbox"/>	<input type="checkbox"/>	<input type="checkbox"/>	<input type="checkbox"/>	<input type="checkbox"/>	<input type="checkbox"/>	<input type="checkbox"/>	<input type="checkbox"/>	<input type="checkbox"/>	<input type="checkbox"/>	<input type="checkbox"/>	<input type="checkbox"/>	<input type="checkbox"/>	<input type="checkbox"/>	<input type="checkbox"/>	<input type="checkbox"/>	<input type="checkbox"/>	<input type="checkbox"/>	<input type="checkbox"/>	
11			<input type="checkbox"/>	<input type="checkbox"/>	<input type="checkbox"/>	<input type="checkbox"/>	<input type="checkbox"/>	<input type="checkbox"/>	<input type="checkbox"/>	<input type="checkbox"/>	<input type="checkbox"/>	<input type="checkbox"/>	<input type="checkbox"/>	<input type="checkbox"/>	<input type="checkbox"/>	<input type="checkbox"/>	<input type="checkbox"/>	<input type="checkbox"/>	<input type="checkbox"/>	<input type="checkbox"/>	<input type="checkbox"/>	
10			<input type="checkbox"/>	<input type="checkbox"/>	<input type="checkbox"/>	<input type="checkbox"/>	<input type="checkbox"/>	<input type="checkbox"/>	<input type="checkbox"/>	<input type="checkbox"/>	<input type="checkbox"/>	<input type="checkbox"/>	<input type="checkbox"/>	<input type="checkbox"/>	<input type="checkbox"/>	<input type="checkbox"/>	<input type="checkbox"/>	<input type="checkbox"/>	<input type="checkbox"/>	<input type="checkbox"/>	<input type="checkbox"/>	
9			<input type="checkbox"/>	<input type="checkbox"/>	<input type="checkbox"/>	<input type="checkbox"/>	<input type="checkbox"/>	<input type="checkbox"/>	<input type="checkbox"/>	<input type="checkbox"/>	<input type="checkbox"/>	<input type="checkbox"/>	<input type="checkbox"/>	<input type="checkbox"/>	<input type="checkbox"/>	<input type="checkbox"/>	<input type="checkbox"/>	<input type="checkbox"/>	<input type="checkbox"/>	<input type="checkbox"/>	<input type="checkbox"/>	
8			<input type="checkbox"/>	<input type="checkbox"/>	<input type="checkbox"/>	<input type="checkbox"/>	<input type="checkbox"/>	<input type="checkbox"/>	<input type="checkbox"/>	<input type="checkbox"/>	<input type="checkbox"/>	<input type="checkbox"/>	<input type="checkbox"/>	<input type="checkbox"/>	<input type="checkbox"/>	<input type="checkbox"/>	<input type="checkbox"/>	<input type="checkbox"/>	<input type="checkbox"/>	<input type="checkbox"/>	<input type="checkbox"/>	
7			<input type="checkbox"/>	<input type="checkbox"/>	<input type="checkbox"/>	<input type="checkbox"/>	<input type="checkbox"/>	<input type="checkbox"/>	<input type="checkbox"/>	<input type="checkbox"/>	<input type="checkbox"/>	<input type="checkbox"/>	<input type="checkbox"/>	<input type="checkbox"/>	<input type="checkbox"/>	<input type="checkbox"/>	<input type="checkbox"/>	<input type="checkbox"/>	<input type="checkbox"/>	<input type="checkbox"/>	<input type="checkbox"/>	
6			<input type="checkbox"/>	<input type="checkbox"/>	<input type="checkbox"/>	<input type="checkbox"/>	<input type="checkbox"/>	<input type="checkbox"/>	<input type="checkbox"/>	<input type="checkbox"/>	<input type="checkbox"/>	<input type="checkbox"/>	<input type="checkbox"/>	<input type="checkbox"/>	<input type="checkbox"/>	<input type="checkbox"/>	<input type="checkbox"/>	<input type="checkbox"/>	<input type="checkbox"/>	<input type="checkbox"/>	<input type="checkbox"/>	
5			<input type="checkbox"/>	<input type="checkbox"/>	<input type="checkbox"/>	<input type="checkbox"/>	<input type="checkbox"/>	<input type="checkbox"/>	<input type="checkbox"/>	<input type="checkbox"/>	<input type="checkbox"/>	<input type="checkbox"/>	<input type="checkbox"/>	<input type="checkbox"/>	<input type="checkbox"/>	<input type="checkbox"/>	<input type="checkbox"/>	<input type="checkbox"/>	<input type="checkbox"/>	<input type="checkbox"/>	<input type="checkbox"/>	
4			<input type="checkbox"/>	<input type="checkbox"/>	<input type="checkbox"/>	<input type="checkbox"/>	<input type="checkbox"/>	<input type="checkbox"/>	<input type="checkbox"/>	<input type="checkbox"/>	<input type="checkbox"/>	<input type="checkbox"/>	<input type="checkbox"/>	<input type="checkbox"/>	<input type="checkbox"/>	<input type="checkbox"/>	<input type="checkbox"/>	<input type="checkbox"/>	<input type="checkbox"/>	<input type="checkbox"/>	<input type="checkbox"/>	
3			<input type="checkbox"/>	<input type="checkbox"/>	<input type="checkbox"/>	<input type="checkbox"/>	<input type="checkbox"/>	<input type="checkbox"/>	<input type="checkbox"/>	<input type="checkbox"/>	<input type="checkbox"/>	<input type="checkbox"/>	<input type="checkbox"/>	<input type="checkbox"/>	<input type="checkbox"/>	<input type="checkbox"/>	<input type="checkbox"/>	<input type="checkbox"/>	<input type="checkbox"/>	<input type="checkbox"/>	<input type="checkbox"/>	
2			<input type="checkbox"/>	<input type="checkbox"/>	<input type="checkbox"/>	<input type="checkbox"/>	<input type="checkbox"/>	<input type="checkbox"/>	<input type="checkbox"/>	<input type="checkbox"/>	<input type="checkbox"/>	<input type="checkbox"/>	<input type="checkbox"/>	<input type="checkbox"/>	<input type="checkbox"/>	<input type="checkbox"/>	<input type="checkbox"/>	<input type="checkbox"/>	<input type="checkbox"/>	<input type="checkbox"/>	<input type="checkbox"/>	
1			<input type="checkbox"/>	<input type="checkbox"/>	<input type="checkbox"/>	<input type="checkbox"/>	<input type="checkbox"/>	<input type="checkbox"/>	<input type="checkbox"/>	<input type="checkbox"/>	<input type="checkbox"/>	<input type="checkbox"/>	<input type="checkbox"/>	<input type="checkbox"/>	<input type="checkbox"/>	<input type="checkbox"/>	<input type="checkbox"/>	<input type="checkbox"/>	<input type="checkbox"/>	<input type="checkbox"/>	<input type="checkbox"/>	
PIT																						
Capacity: <input type="checkbox"/> kg <input type="checkbox"/> lbs																						
Up Speed: <input type="checkbox"/> ms <input type="checkbox"/> fpm																						
Down Speed:																						
Total Travel: <input type="checkbox"/> m <input type="checkbox"/> ft																						

NOTE: Hoistway Layout Forms are required for each unique landing configuration including riser, opening, and wall/barrier location. These forms must be filled out by hand and faxed to MCE. Enter the number of drawings you are submitting here: f



Sketch your layout in the grid area. Alternately, use separate sheets of paper (with your job number)

