



Motion Control Engineering

Voice: 916 463 9200

Fax: 916 463 9201

www.nidec-mce.com

Destination Based Dispatching Engineering Survey

Page 1 of 16

Doc #: 42-FR-0465 A1 (JER147)

Logistics Data

In order to better serve you and meet your schedule, this form must be completed and signed. Timely delivery and trouble free installation begin with these survey forms. Please complete this Destination Based Dispatching form in addition to the iControl form. Non-response to a question is interpreted as meaning that the item does not apply.

Per state tax laws, it is critical that MCE receive exemption or resale certificates prior to the material being shipped and billed. If the job is a tax exempt job, send the exemption certificate with this form. If you are a resale customer and have a resale certificate, please make sure that the MCE accounting department has a copy on file.

Site & Contact Information

Date:	Number of cars:
Job name and address: (26 characters maximum per line)	

Owner Representative	
Print Name:	Title:
Signature:	
Business phone:	Cell phone:
Email:	
Company name and address:	

Job Location (city and state):	
Project Type: <input type="checkbox"/> New construction <input type="checkbox"/> Modernization	
MCE to complete shaded area	
Contract Date:	
Customer Job #:	PO#:
Controller/Job Reference #	

Form completed by: (Check if same as contractor)

Name:
Business Phone:
Cell Phone:
Email:
Signature:

Critical Dates / Information

DBD Fixture Delivery Date
DBD Transition Date
Language: <input type="checkbox"/> English <input type="checkbox"/> Other

Shipping Information

Contact:	
Phone:	Fax:
Company name and address:	

Shipping Requirement:	
Advanced Notice:	<input type="checkbox"/> 24 hours <input type="checkbox"/> 48 hours
Truck w/ Lift Gate:	<input type="checkbox"/> Yes <input type="checkbox"/> No

Contractor Information (Check if same as above)

Contact:	
Phone:	Fax:
Email:	
Company name and address:	

Please see our Destination Based Dispatching Catalog

We provide a brief description of our destination dispatching fixtures here to aid in making selections. For complete fixture descriptions, dimensions, and mounting information please ask for a copy of our catalog or download one from the MCE website at www.nidec-mce.com.

Consultant Info: (Check if same as contractor)

Business Name:
Contact Name:
Business Phone:
Cell Phone:
Email:
Address:

Help us define your system

In order to properly design your system, we need to know how many and which floors will use destination dispatching, the location of elevators and input devices on those floors, and which fixtures you want to use. This form is designed to collect that information.



Security Overview

Security interfaces on Destination Dispatch jobs are different from the standard dry contact interfaces most installers are used to. The card readers normally inside the COP are placed next to each DID touch screen in the hallway. A relay type interface would require too many wires. Instead, DD jobs use a network interface to pass the card reader information to the access control company.

Security Type

- No Security Required
- Limited Discrete Security
 - Source Lockout Inputs – Single input into group per DID. If input is not active, then calls cannot be made from that DID. There is no way to control where the passenger goes, just if they can use the elevators. Every passenger will need an access card to use elevators (no guests or public floors from the secured source floors). This is normally needed for public floors such as unmanned lobby or parking floor in buildings that do not have standard security interfaces.
 - Destination Lockout Inputs – Single input per destination floor that when activated, will not allow any calls to that floor. Used for single tenant floor buildings when tenant wants to close down floors after they leave for the day. This option is simply a connection point for a hardware panel with keyed lockouts per floor.

- Access Control Network Interface (Standard Card Reader Security)

MCE supports the following access control systems for office buildings. Selecting an access control manufacturer that is not in this list may mean extra costs to develop an interface from MCE **and** the Access Control Company. Please consult with your salesperson if your security company is not listed.

Direct Integration

- BluB0x
- CSI
- Computrols CBAS
- Genetec
- ICT
- Kastle
- Lenel OnGuard (v6.6, 7.1, 7.2, 7.3)

Integration through BraXos Steward Platform (BraXos must be contracted through building or security company):

- Amag Symmetry
- DATAWATCH
- Honeywell ProWatch
- S2 Security NetBox
- Siemens SiPass
- Software House CCURE 9000
- Hotel system such as Assa Abloy (Ving) or Kaba (SafLok)

Note: For additional information regarding Security Interface Requirements, refer to Sales Reference document P/N 42-SR-0016.

Card Reader Type

MCE can save hours of wiring by integrating the cardswipe into our data communications. This is only available with the HID 5127MINI reader and for the access control companies that support it.

- MCE provided and mounted card readers:
 - HID 5127 MINI (BluBox & BraXos Only)
 - HID 6005 (Connects via Wiegand to Access company equipment)
 - HID R10/RP10 (Connects via Wiegand to Access company equipment)

- Customer provided and mounted card readers:

- Card reader mounted NEXT to DID

Note: MCE can only mount readers provided by MCE.



Turnstiles

- MCE provides an LCD screen and speaker that can be mounted at a turnstile to allow automatic call assignment while passing through the gate. Please make sure to select an Access Control Company on previous page.

Custom Graphics

- MCE offers the ability for the building to provide a custom background image on the DID Kiosk. Image requirements:

10.4": 1024 x 768 pixels

7": 480 x 800 pixels

Note: For additional information regarding DID Screen Graphics, refer to Sales Reference document P/N 42-SR-0019.

Note: Any Additional features (switches, indicators, engravings, etc.) must be external to the DID Kiosk and are **not** provided by MCE.

Floors in your Building – Planning Form

This form provides space to enter data for 8 cars, 54 floors, and 5 floor plans. If additional space is needed, please make copies of the form.

Following are instructions for filling out the form. Also refer to the "Example Form," "Example Floor Plans" and supporting Tables on the following page.

1. Under "Cars and Openings", enter the "Labels" for the cars in this group, e.g. 1, 2, 3 or A, B, C, etc.
2. Under "Voice Annunciator Message," indicate the voice announcement to be used for each floor, e.g. 1st floor, floor 1, lobby floor, etc.
3. Under "Floor Label," indicate the floor label to be displayed on in-car fixtures (3 characters maximum).
4. Under "Cars and Openings," place an X in the boxes to indicate the openings for each car for each floor they serve.
5. Under "DID Fixtures Type," indicate the type of fixtures to be used (specified by the letter/number next to the fixtures listed below), and the quantity of fixtures to be used at each floor.
6. Under "Other Fixtures Type," indicate the type of fixtures to be used (specified by the letter/number next to the fixtures listed below), and the quantity of fixtures to be used at each floor.
7. Under "Floor Plan", indicate the number of the floor plan that illustrates the orientation of the cars, turnstiles (if applicable) and all destination fixtures on each floor.
 - Use the "Floor Plan" templates on page 6 to create the diagrams of the cars and location of the fixtures used by this group.



Motion Control Engineering

Voice: 916 463 9200

Fax: 916 463 9201

www.nidec-mce.com

Destination Based Dispatching Engineering Survey

Page 4 of 16

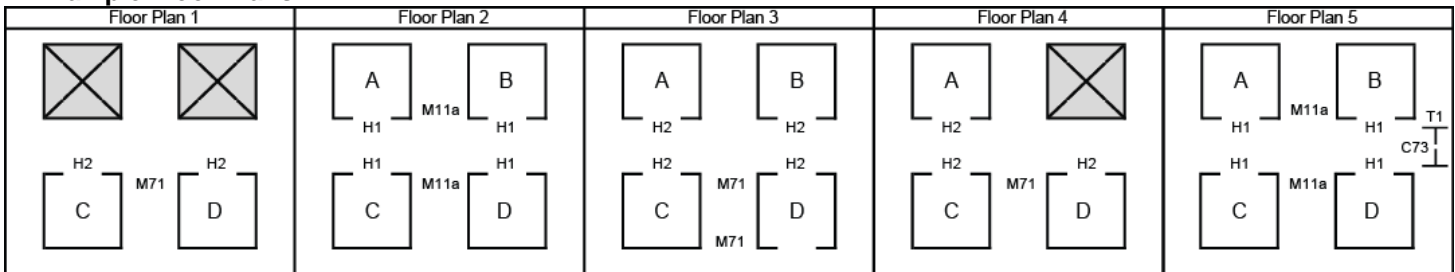
Doc #: 42-FR-0465 A1 (JER147)

Floors in your Building

Example Form:

Floor Data			Cars and Openings												DID Fixtures Type			Other Fixtures Type			Floor Plan				
Lndg #	Voice Annunciator Message	Floor Label	A		B		C		D										M11a Qty	M71 Qty		C73 Qty	H1 Qty	H2 Qty	
			F	R	F	R	F	R	F	R	F	R	F	R	F	R	F	R							
5	3 rd Floor	3	<input checked="" type="checkbox"/>	<input type="checkbox"/>	<input type="checkbox"/>	<input type="checkbox"/>	<input checked="" type="checkbox"/>	<input type="checkbox"/>	<input type="checkbox"/>	<input type="checkbox"/>	<input type="checkbox"/>	<input type="checkbox"/>	<input type="checkbox"/>	<input type="checkbox"/>	<input type="checkbox"/>	<input type="checkbox"/>	<input type="checkbox"/>	<input type="checkbox"/>		1		0	3		4
4	2 nd Floor	2	<input checked="" type="checkbox"/>	<input type="checkbox"/>	<input checked="" type="checkbox"/>	<input type="checkbox"/>	<input checked="" type="checkbox"/>	<input type="checkbox"/>	<input checked="" type="checkbox"/>	<input type="checkbox"/>	<input type="checkbox"/>	<input type="checkbox"/>	<input type="checkbox"/>	<input type="checkbox"/>	<input type="checkbox"/>	<input type="checkbox"/>	<input type="checkbox"/>	<input type="checkbox"/>		2		0	5		3
3	Lobby	L	<input checked="" type="checkbox"/>	<input type="checkbox"/>	<input checked="" type="checkbox"/>	<input type="checkbox"/>	<input checked="" type="checkbox"/>	<input type="checkbox"/>	<input checked="" type="checkbox"/>	<input type="checkbox"/>	<input type="checkbox"/>	<input type="checkbox"/>	<input type="checkbox"/>	<input type="checkbox"/>	<input type="checkbox"/>	<input type="checkbox"/>	<input type="checkbox"/>	<input type="checkbox"/>			1	4	0		5
2	Parking Garage 2	P2	<input checked="" type="checkbox"/>	<input type="checkbox"/>	<input checked="" type="checkbox"/>	<input type="checkbox"/>	<input checked="" type="checkbox"/>	<input type="checkbox"/>	<input checked="" type="checkbox"/>	<input type="checkbox"/>	<input type="checkbox"/>	<input type="checkbox"/>	<input type="checkbox"/>	<input type="checkbox"/>	<input type="checkbox"/>	<input type="checkbox"/>	<input type="checkbox"/>	<input type="checkbox"/>		2		4			2
1	Parking Garage 1	P1	<input type="checkbox"/>	<input type="checkbox"/>	<input type="checkbox"/>	<input type="checkbox"/>	<input checked="" type="checkbox"/>	<input type="checkbox"/>	<input checked="" type="checkbox"/>	<input type="checkbox"/>	<input type="checkbox"/>	<input type="checkbox"/>	<input type="checkbox"/>	<input type="checkbox"/>	<input type="checkbox"/>	<input type="checkbox"/>	<input type="checkbox"/>	<input type="checkbox"/>		1		0	2		1

Example Floor Plans:



Destination Input Fixtures: DID fixtures include the following (Specify "Type" by the numbers in these lists):

MCE Touch Screen		CE Touch Screen		CE Keypad
M11a 10.4" Surface Mt RF no CR	M71 7" Surface Mt RF	C11 10.4" Surface Mt	C71 7" Surface Mt	K1 Surface Mt Flat
M11b 10.4" Surface Mt RF + CR	M72 7" Surface Mt NC	C12 10.4" Applied Mt	C72 7" Applied Mt	K2 Surface Mt Angled
M12a 10.4" Surface Mt NC no CR	M73 7" Applied Mt	C13 10.4" Frameless	C73 7" Frameless	
M12b 10.4" Surface Mt NC + CR	M74 7" Frameless			
M13 10.4" Vertical Mt				
M14 10.4" Applied Mt				
M15 10.4" Frameless no CR				
M16 10.4" Pedestal Against Wall				
M17 10.4" Pedestal Standalone				

Note: Mt = Mount; RF = Retrofit; NC = New Construction; CR = Card Reader

Other Hall Fixtures: Destination / Annunciators

H1 LCD Destination/ Car Annunciator Messaging / Arrival PI	H2 mBox/mLBox Annunciator w/Floor Gong	H4 Non-Serial Hall Fixture (DUPAR) (Contractor Supplied)
	H3 mFlag w/ Floor Gong	

Door Jamb Fixtures

D1 4.3" LCD (no speaker)	D5 10 Line Segmented 1/2" Display
D2 4.3" LCD (with speaker)	D6 10 Line Segmented 1" Display

Turnstile Fixtures

T1 7" LCD (speaker included)



Motion Control Engineering

Voice: 916 463 9200

Fax: 916 463 9201

www.nidec-mce.com

Destination Based Dispatching Engineering Survey

Page 5 of 16

Doc #: 42-FR-0465 A1 (JER147)

Floors in your Building

Floor Data			Cars and Openings												DID Fixtures Type			Other Fixtures Type			Floor Plan	
Lndg #	Voice Annunciator Message	Floor Label	F	R	F	R	F	R	F	R	F	R	F	R	F	R	Qty	Qty	Qty	Qty		Qty
54			<input type="checkbox"/>	<input type="checkbox"/>	<input type="checkbox"/>	<input type="checkbox"/>	<input type="checkbox"/>	<input type="checkbox"/>	<input type="checkbox"/>	<input type="checkbox"/>	<input type="checkbox"/>	<input type="checkbox"/>	<input type="checkbox"/>	<input type="checkbox"/>	<input type="checkbox"/>	<input type="checkbox"/>						
53			<input type="checkbox"/>	<input type="checkbox"/>	<input type="checkbox"/>	<input type="checkbox"/>	<input type="checkbox"/>	<input type="checkbox"/>	<input type="checkbox"/>	<input type="checkbox"/>	<input type="checkbox"/>	<input type="checkbox"/>	<input type="checkbox"/>	<input type="checkbox"/>	<input type="checkbox"/>	<input type="checkbox"/>						
52			<input type="checkbox"/>	<input type="checkbox"/>	<input type="checkbox"/>	<input type="checkbox"/>	<input type="checkbox"/>	<input type="checkbox"/>	<input type="checkbox"/>	<input type="checkbox"/>	<input type="checkbox"/>	<input type="checkbox"/>	<input type="checkbox"/>	<input type="checkbox"/>	<input type="checkbox"/>	<input type="checkbox"/>						
51			<input type="checkbox"/>	<input type="checkbox"/>	<input type="checkbox"/>	<input type="checkbox"/>	<input type="checkbox"/>	<input type="checkbox"/>	<input type="checkbox"/>	<input type="checkbox"/>	<input type="checkbox"/>	<input type="checkbox"/>	<input type="checkbox"/>	<input type="checkbox"/>	<input type="checkbox"/>	<input type="checkbox"/>						
50			<input type="checkbox"/>	<input type="checkbox"/>	<input type="checkbox"/>	<input type="checkbox"/>	<input type="checkbox"/>	<input type="checkbox"/>	<input type="checkbox"/>	<input type="checkbox"/>	<input type="checkbox"/>	<input type="checkbox"/>	<input type="checkbox"/>	<input type="checkbox"/>	<input type="checkbox"/>	<input type="checkbox"/>						
49			<input type="checkbox"/>	<input type="checkbox"/>	<input type="checkbox"/>	<input type="checkbox"/>	<input type="checkbox"/>	<input type="checkbox"/>	<input type="checkbox"/>	<input type="checkbox"/>	<input type="checkbox"/>	<input type="checkbox"/>	<input type="checkbox"/>	<input type="checkbox"/>	<input type="checkbox"/>	<input type="checkbox"/>						
48			<input type="checkbox"/>	<input type="checkbox"/>	<input type="checkbox"/>	<input type="checkbox"/>	<input type="checkbox"/>	<input type="checkbox"/>	<input type="checkbox"/>	<input type="checkbox"/>	<input type="checkbox"/>	<input type="checkbox"/>	<input type="checkbox"/>	<input type="checkbox"/>	<input type="checkbox"/>	<input type="checkbox"/>						
47			<input type="checkbox"/>	<input type="checkbox"/>	<input type="checkbox"/>	<input type="checkbox"/>	<input type="checkbox"/>	<input type="checkbox"/>	<input type="checkbox"/>	<input type="checkbox"/>	<input type="checkbox"/>	<input type="checkbox"/>	<input type="checkbox"/>	<input type="checkbox"/>	<input type="checkbox"/>	<input type="checkbox"/>						
46			<input type="checkbox"/>	<input type="checkbox"/>	<input type="checkbox"/>	<input type="checkbox"/>	<input type="checkbox"/>	<input type="checkbox"/>	<input type="checkbox"/>	<input type="checkbox"/>	<input type="checkbox"/>	<input type="checkbox"/>	<input type="checkbox"/>	<input type="checkbox"/>	<input type="checkbox"/>	<input type="checkbox"/>						
45			<input type="checkbox"/>	<input type="checkbox"/>	<input type="checkbox"/>	<input type="checkbox"/>	<input type="checkbox"/>	<input type="checkbox"/>	<input type="checkbox"/>	<input type="checkbox"/>	<input type="checkbox"/>	<input type="checkbox"/>	<input type="checkbox"/>	<input type="checkbox"/>	<input type="checkbox"/>	<input type="checkbox"/>						
44			<input type="checkbox"/>	<input type="checkbox"/>	<input type="checkbox"/>	<input type="checkbox"/>	<input type="checkbox"/>	<input type="checkbox"/>	<input type="checkbox"/>	<input type="checkbox"/>	<input type="checkbox"/>	<input type="checkbox"/>	<input type="checkbox"/>	<input type="checkbox"/>	<input type="checkbox"/>	<input type="checkbox"/>						
43			<input type="checkbox"/>	<input type="checkbox"/>	<input type="checkbox"/>	<input type="checkbox"/>	<input type="checkbox"/>	<input type="checkbox"/>	<input type="checkbox"/>	<input type="checkbox"/>	<input type="checkbox"/>	<input type="checkbox"/>	<input type="checkbox"/>	<input type="checkbox"/>	<input type="checkbox"/>	<input type="checkbox"/>						
42			<input type="checkbox"/>	<input type="checkbox"/>	<input type="checkbox"/>	<input type="checkbox"/>	<input type="checkbox"/>	<input type="checkbox"/>	<input type="checkbox"/>	<input type="checkbox"/>	<input type="checkbox"/>	<input type="checkbox"/>	<input type="checkbox"/>	<input type="checkbox"/>	<input type="checkbox"/>	<input type="checkbox"/>						
41			<input type="checkbox"/>	<input type="checkbox"/>	<input type="checkbox"/>	<input type="checkbox"/>	<input type="checkbox"/>	<input type="checkbox"/>	<input type="checkbox"/>	<input type="checkbox"/>	<input type="checkbox"/>	<input type="checkbox"/>	<input type="checkbox"/>	<input type="checkbox"/>	<input type="checkbox"/>	<input type="checkbox"/>						
40			<input type="checkbox"/>	<input type="checkbox"/>	<input type="checkbox"/>	<input type="checkbox"/>	<input type="checkbox"/>	<input type="checkbox"/>	<input type="checkbox"/>	<input type="checkbox"/>	<input type="checkbox"/>	<input type="checkbox"/>	<input type="checkbox"/>	<input type="checkbox"/>	<input type="checkbox"/>	<input type="checkbox"/>						
39			<input type="checkbox"/>	<input type="checkbox"/>	<input type="checkbox"/>	<input type="checkbox"/>	<input type="checkbox"/>	<input type="checkbox"/>	<input type="checkbox"/>	<input type="checkbox"/>	<input type="checkbox"/>	<input type="checkbox"/>	<input type="checkbox"/>	<input type="checkbox"/>	<input type="checkbox"/>	<input type="checkbox"/>						
38			<input type="checkbox"/>	<input type="checkbox"/>	<input type="checkbox"/>	<input type="checkbox"/>	<input type="checkbox"/>	<input type="checkbox"/>	<input type="checkbox"/>	<input type="checkbox"/>	<input type="checkbox"/>	<input type="checkbox"/>	<input type="checkbox"/>	<input type="checkbox"/>	<input type="checkbox"/>	<input type="checkbox"/>						
37			<input type="checkbox"/>	<input type="checkbox"/>	<input type="checkbox"/>	<input type="checkbox"/>	<input type="checkbox"/>	<input type="checkbox"/>	<input type="checkbox"/>	<input type="checkbox"/>	<input type="checkbox"/>	<input type="checkbox"/>	<input type="checkbox"/>	<input type="checkbox"/>	<input type="checkbox"/>	<input type="checkbox"/>						
36			<input type="checkbox"/>	<input type="checkbox"/>	<input type="checkbox"/>	<input type="checkbox"/>	<input type="checkbox"/>	<input type="checkbox"/>	<input type="checkbox"/>	<input type="checkbox"/>	<input type="checkbox"/>	<input type="checkbox"/>	<input type="checkbox"/>	<input type="checkbox"/>	<input type="checkbox"/>	<input type="checkbox"/>						
35			<input type="checkbox"/>	<input type="checkbox"/>	<input type="checkbox"/>	<input type="checkbox"/>	<input type="checkbox"/>	<input type="checkbox"/>	<input type="checkbox"/>	<input type="checkbox"/>	<input type="checkbox"/>	<input type="checkbox"/>	<input type="checkbox"/>	<input type="checkbox"/>	<input type="checkbox"/>	<input type="checkbox"/>						
34			<input type="checkbox"/>	<input type="checkbox"/>	<input type="checkbox"/>	<input type="checkbox"/>	<input type="checkbox"/>	<input type="checkbox"/>	<input type="checkbox"/>	<input type="checkbox"/>	<input type="checkbox"/>	<input type="checkbox"/>	<input type="checkbox"/>	<input type="checkbox"/>	<input type="checkbox"/>	<input type="checkbox"/>						
33			<input type="checkbox"/>	<input type="checkbox"/>	<input type="checkbox"/>	<input type="checkbox"/>	<input type="checkbox"/>	<input type="checkbox"/>	<input type="checkbox"/>	<input type="checkbox"/>	<input type="checkbox"/>	<input type="checkbox"/>	<input type="checkbox"/>	<input type="checkbox"/>	<input type="checkbox"/>	<input type="checkbox"/>						
32			<input type="checkbox"/>	<input type="checkbox"/>	<input type="checkbox"/>	<input type="checkbox"/>	<input type="checkbox"/>	<input type="checkbox"/>	<input type="checkbox"/>	<input type="checkbox"/>	<input type="checkbox"/>	<input type="checkbox"/>	<input type="checkbox"/>	<input type="checkbox"/>	<input type="checkbox"/>	<input type="checkbox"/>						
31			<input type="checkbox"/>	<input type="checkbox"/>	<input type="checkbox"/>	<input type="checkbox"/>	<input type="checkbox"/>	<input type="checkbox"/>	<input type="checkbox"/>	<input type="checkbox"/>	<input type="checkbox"/>	<input type="checkbox"/>	<input type="checkbox"/>	<input type="checkbox"/>	<input type="checkbox"/>	<input type="checkbox"/>						
30			<input type="checkbox"/>	<input type="checkbox"/>	<input type="checkbox"/>	<input type="checkbox"/>	<input type="checkbox"/>	<input type="checkbox"/>	<input type="checkbox"/>	<input type="checkbox"/>	<input type="checkbox"/>	<input type="checkbox"/>	<input type="checkbox"/>	<input type="checkbox"/>	<input type="checkbox"/>	<input type="checkbox"/>						
29			<input type="checkbox"/>	<input type="checkbox"/>	<input type="checkbox"/>	<input type="checkbox"/>	<input type="checkbox"/>	<input type="checkbox"/>	<input type="checkbox"/>	<input type="checkbox"/>	<input type="checkbox"/>	<input type="checkbox"/>	<input type="checkbox"/>	<input type="checkbox"/>	<input type="checkbox"/>	<input type="checkbox"/>						
28			<input type="checkbox"/>	<input type="checkbox"/>	<input type="checkbox"/>	<input type="checkbox"/>	<input type="checkbox"/>	<input type="checkbox"/>	<input type="checkbox"/>	<input type="checkbox"/>	<input type="checkbox"/>	<input type="checkbox"/>	<input type="checkbox"/>	<input type="checkbox"/>	<input type="checkbox"/>	<input type="checkbox"/>						
27			<input type="checkbox"/>	<input type="checkbox"/>	<input type="checkbox"/>	<input type="checkbox"/>	<input type="checkbox"/>	<input type="checkbox"/>	<input type="checkbox"/>	<input type="checkbox"/>	<input type="checkbox"/>	<input type="checkbox"/>	<input type="checkbox"/>	<input type="checkbox"/>	<input type="checkbox"/>	<input type="checkbox"/>						
26			<input type="checkbox"/>	<input type="checkbox"/>	<input type="checkbox"/>	<input type="checkbox"/>	<input type="checkbox"/>	<input type="checkbox"/>	<input type="checkbox"/>	<input type="checkbox"/>	<input type="checkbox"/>	<input type="checkbox"/>	<input type="checkbox"/>	<input type="checkbox"/>	<input type="checkbox"/>	<input type="checkbox"/>						
25			<input type="checkbox"/>	<input type="checkbox"/>	<input type="checkbox"/>	<input type="checkbox"/>	<input type="checkbox"/>	<input type="checkbox"/>	<input type="checkbox"/>	<input type="checkbox"/>	<input type="checkbox"/>	<input type="checkbox"/>	<input type="checkbox"/>	<input type="checkbox"/>	<input type="checkbox"/>	<input type="checkbox"/>						
24			<input type="checkbox"/>	<input type="checkbox"/>	<input type="checkbox"/>	<input type="checkbox"/>	<input type="checkbox"/>	<input type="checkbox"/>	<input type="checkbox"/>	<input type="checkbox"/>	<input type="checkbox"/>	<input type="checkbox"/>	<input type="checkbox"/>	<input type="checkbox"/>	<input type="checkbox"/>	<input type="checkbox"/>						
23			<input type="checkbox"/>	<input type="checkbox"/>	<input type="checkbox"/>	<input type="checkbox"/>	<input type="checkbox"/>	<input type="checkbox"/>	<input type="checkbox"/>	<input type="checkbox"/>	<input type="checkbox"/>	<input type="checkbox"/>	<input type="checkbox"/>	<input type="checkbox"/>	<input type="checkbox"/>	<input type="checkbox"/>						
22			<input type="checkbox"/>	<input type="checkbox"/>	<input type="checkbox"/>	<input type="checkbox"/>	<input type="checkbox"/>	<input type="checkbox"/>	<input type="checkbox"/>	<input type="checkbox"/>	<input type="checkbox"/>	<input type="checkbox"/>	<input type="checkbox"/>	<input type="checkbox"/>	<input type="checkbox"/>	<input type="checkbox"/>						
21			<input type="checkbox"/>	<input type="checkbox"/>	<input type="checkbox"/>	<input type="checkbox"/>	<input type="checkbox"/>	<input type="checkbox"/>	<input type="checkbox"/>	<input type="checkbox"/>	<input type="checkbox"/>	<input type="checkbox"/>	<input type="checkbox"/>	<input type="checkbox"/>	<input type="checkbox"/>	<input type="checkbox"/>						
20			<input type="checkbox"/>	<input type="checkbox"/>	<input type="checkbox"/>	<input type="checkbox"/>	<input type="checkbox"/>	<input type="checkbox"/>	<input type="checkbox"/>	<input type="checkbox"/>	<input type="checkbox"/>	<input type="checkbox"/>	<input type="checkbox"/>	<input type="checkbox"/>	<input type="checkbox"/>	<input type="checkbox"/>						
19			<input type="checkbox"/>	<input type="checkbox"/>	<input type="checkbox"/>	<input type="checkbox"/>	<input type="checkbox"/>	<input type="checkbox"/>	<input type="checkbox"/>	<input type="checkbox"/>	<input type="checkbox"/>	<input type="checkbox"/>	<input type="checkbox"/>	<input type="checkbox"/>	<input type="checkbox"/>	<input type="checkbox"/>						
18			<input type="checkbox"/>	<input type="checkbox"/>	<input type="checkbox"/>	<input type="checkbox"/>	<input type="checkbox"/>	<input type="checkbox"/>	<input type="checkbox"/>	<input type="checkbox"/>	<input type="checkbox"/>	<input type="checkbox"/>	<input type="checkbox"/>	<input type="checkbox"/>	<input type="checkbox"/>	<input type="checkbox"/>						
17			<input type="checkbox"/>	<input type="checkbox"/>	<input type="checkbox"/>	<input type="checkbox"/>	<input type="checkbox"/>	<input type="checkbox"/>	<input type="checkbox"/>	<input type="checkbox"/>	<input type="checkbox"/>	<input type="checkbox"/>	<input type="checkbox"/>	<input type="checkbox"/>	<input type="checkbox"/>	<input type="checkbox"/>						
16			<input type="checkbox"/>	<input type="checkbox"/>	<input type="checkbox"/>	<input type="checkbox"/>	<input type="checkbox"/>	<input type="checkbox"/>	<input type="checkbox"/>	<input type="checkbox"/>	<input type="checkbox"/>	<input type="checkbox"/>	<input type="checkbox"/>	<input type="checkbox"/>	<input type="checkbox"/>	<input type="checkbox"/>						
15			<input type="checkbox"/>	<input type="checkbox"/>	<input type="checkbox"/>	<input type="checkbox"/>	<input type="checkbox"/>	<input type="checkbox"/>	<input type="checkbox"/>	<input type="checkbox"/>	<input type="checkbox"/>	<input type="checkbox"/>	<input type="checkbox"/>	<input type="checkbox"/>	<input type="checkbox"/>	<input type="checkbox"/>						
14			<input type="checkbox"/>	<input type="checkbox"/>	<input type="checkbox"/>	<input type="checkbox"/>	<input type="checkbox"/>	<input type="checkbox"/>	<input type="checkbox"/>	<input type="checkbox"/>	<input type="checkbox"/>	<input type="checkbox"/>	<input type="checkbox"/>	<input type="checkbox"/>	<input type="checkbox"/>	<input type="checkbox"/>						
13			<input type="checkbox"/>	<input type="checkbox"/>	<input type="checkbox"/>	<input type="checkbox"/>	<input type="checkbox"/>	<input type="checkbox"/>	<input type="checkbox"/>	<input type="checkbox"/>	<input type="checkbox"/>	<input type="checkbox"/>	<input type="checkbox"/>	<input type="checkbox"/>	<input type="checkbox"/>	<input type="checkbox"/>						
12			<input type="checkbox"/>	<input type="checkbox"/>	<input type="checkbox"/>	<input type="checkbox"/>	<input type="checkbox"/>	<input type="checkbox"/>	<input type="checkbox"/>	<input type="checkbox"/>	<input type="checkbox"/>	<input type="checkbox"/>	<input type="checkbox"/>	<input type="checkbox"/>	<input type="checkbox"/>	<input type="checkbox"/>						
11			<input type="checkbox"/>	<input type="checkbox"/>	<input type="checkbox"/>	<input type="checkbox"/>	<input type="checkbox"/>	<input type="checkbox"/>	<input type="checkbox"/>	<input type="checkbox"/>	<input type="checkbox"/>	<input type="checkbox"/>	<input type="checkbox"/>	<input type="checkbox"/>	<input type="checkbox"/>	<input type="checkbox"/>						
10			<input type="checkbox"/>	<input type="checkbox"/>	<input type="checkbox"/>	<input type="checkbox"/>	<input type="checkbox"/>	<input type="checkbox"/>	<input type="checkbox"/>	<input type="checkbox"/>	<input type="checkbox"/>	<input type="checkbox"/>	<input type="checkbox"/>	<input type="checkbox"/>	<input type="checkbox"/>	<input type="checkbox"/>						
9			<input type="checkbox"/>	<input type="checkbox"/>	<input type="checkbox"/>	<input type="checkbox"/>	<input type="checkbox"/>	<input type="checkbox"/>	<input type="checkbox"/>	<input type="checkbox"/>	<input type="checkbox"/>	<input type="checkbox"/>	<input type="checkbox"/>	<input type="checkbox"/>	<input type="checkbox"/>	<input type="checkbox"/>						
8			<input type="checkbox"/>	<input type="checkbox"/>	<input type="checkbox"/>	<input type="checkbox"/>	<input type="checkbox"/>	<input type="checkbox"/>	<input type="checkbox"/>	<input type="checkbox"/>	<input type="checkbox"/>	<input type="checkbox"/>	<input type="checkbox"/>	<input type="checkbox"/>	<input type="checkbox"/>	<input type="checkbox"/>						
7			<input type="checkbox"/>	<input type="checkbox"/>	<input type="checkbox"/>	<input type="checkbox"/>	<input type="checkbox"/>	<input type="checkbox"/>	<input type="checkbox"/>	<input type="checkbox"/>	<input type="checkbox"/>	<input type="checkbox"/>	<input type="checkbox"/>	<input type="checkbox"/>	<input type="checkbox"/>	<input type="checkbox"/>						
6			<input type="checkbox"/>	<input type="checkbox"/>	<input type="checkbox"/>	<input type="checkbox"/>	<input type="checkbox"/>	<input type="checkbox"/>	<input type="checkbox"/>	<input type="checkbox"/>	<input type="checkbox"/>	<input type="checkbox"/>	<input type="checkbox"/>	<input type="checkbox"/>	<input type="checkbox"/>	<input type="checkbox"/>						
5			<input type="checkbox"/>	<input type="checkbox"/>	<input type="checkbox"/>	<input type="checkbox"/>	<input type="checkbox"/>	<input type="checkbox"/>	<input type="checkbox"/>	<input type="checkbox"/>	<input type="checkbox"/>	<input type="checkbox"/>	<input type="checkbox"/>	<input type="checkbox"/>	<input type="checkbox"/>	<input type="checkbox"/>						
4			<input type="checkbox"/>	<input type="checkbox"/>	<input type="checkbox"/>	<input type="checkbox"/>	<input type="checkbox"/>	<input type="checkbox"/>	<input type="checkbox"/>	<input type="checkbox"/>	<input type="checkbox"/>	<input type="checkbox"/>	<input type="checkbox"/>	<input type="checkbox"/>	<input type="checkbox"/>	<input type="checkbox"/>						
3			<input type="checkbox"/>	<input type="checkbox"/>	<input type="checkbox"/>	<input type="checkbox"/>	<input type="checkbox"/>	<input type="checkbox"/>	<input type="checkbox"/>	<input type="checkbox"/>	<input type="checkbox"/>	<input type="checkbox"/>	<input type="checkbox"/>	<input type="checkbox"/>	<input type="checkbox"/>	<input type="checkbox"/>						
2			<input type="checkbox"/>	<input type="checkbox"/>	<input type="checkbox"/>	<input type="checkbox"/>	<input type="checkbox"/>	<input type="checkbox"/>	<input type="checkbox"/>	<input type="checkbox"/>	<input type="checkbox"/>	<input type="checkbox"/>	<input type="checkbox"/>	<input type="checkbox"/>	<input type="checkbox"/>	<input type="checkbox"/>						
1			<input type="checkbox"/>	<input type="checkbox"/>	<input type="checkbox"/>	<input type="checkbox"/>	<input type="checkbox"/>	<input type="checkbox"/>	<input type="checkbox"/>	<input type="checkbox"/>	<input type="checkbox"/>	<input type="checkbox"/>	<input type="checkbox"/>	<input type="checkbox"/>	<input type="checkbox"/>	<input type="checkbox"/>						

Door Jamb Fixtures Type: Qty: Spares: Total:

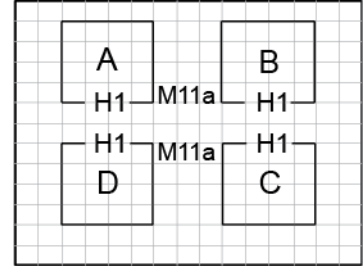
Spares: Totals:

1. Use the grids below to illustrate the layout of the building's elevators and DBD fixtures.
2. Use the fixture letter/numbers from page 4 to indicate the location of the fixtures.
3. Indicate approximate distance from each DID to each elevator.

Note: If additional space is needed, please make copies of this form.

Example

Floor Plan 2: Cars A - D Lobby Level



Floor Plan 1

Floor Plan 2

Floor Plan 3

Floor Plan 4

What fixtures are available?

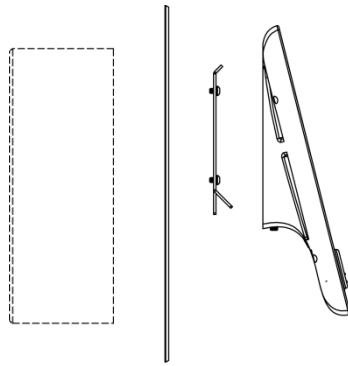
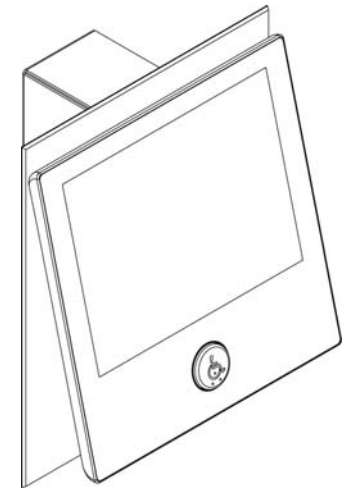
The fixtures that we offer include: Destination Input Devices (DIDs), Per-Car Hall Fixtures, and In-Car Fixtures.

MCE Destination Input Devices

MCE's destination entry touch screen fixtures are wall or kiosk mounted fixtures. Both the 10.4" and 7" models use capacitive multi-touch technology, similar to cell phones, with impact resistant glass, for long lasting and durable fixtures. Both models provide a physical, Braille selection switch in compliance with ADA requirements. Screen visual elements – background, control appearance and messaging – may be customized if desired.

MCE Destination Input (DID) Fixtures

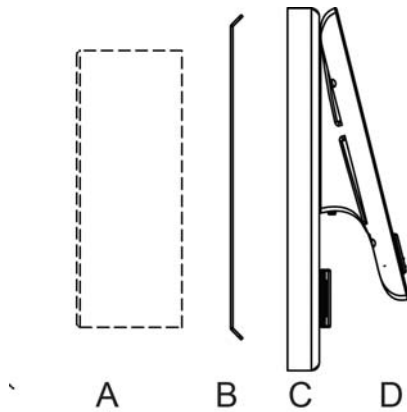
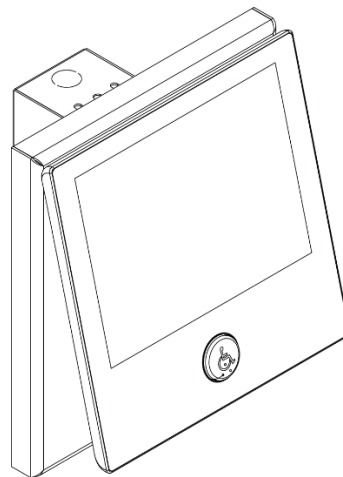
M11a 10.4" Surface Mount Retrofit, No Card Reader



A B C D
Existing Back Box shown. An optional Back Box can be ordered if required.

- A: Optional Back Box Qty _____
(3" W x 9 1/4" H x 3 1/2" D)
- B: Wall/back plate, (included, 1 per fixture)
- Color / Finish:
- Stainless #4*
- Muntz #4
- C: Mounting Bracket (included 1 per fixture)
- D: DID fixture - glass & enclosure:
- Black Qty _____
- White Qty _____

M11b 10.4" Surface Mount Retrofit, With Card Reader



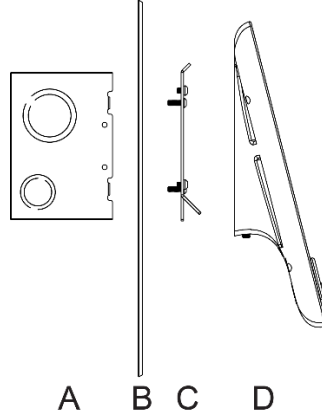
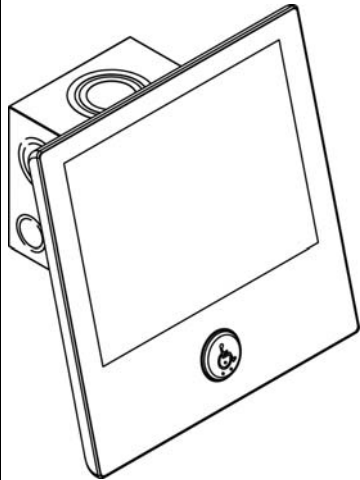
A B C D
Existing Back Box shown. An optional Back Box can be ordered if required.

- A: Optional Back Box Qty _____
(3" W x 9 1/4" H x 3" D)
- B: Mounting Bracket, (included, 1 per fixture)
- C: Box Plate (included 1 per fixture)
- Color / Finish:
- Stainless #4*
- D: DID fixture - glass & enclosure:
- Black Qty _____
- White Qty _____

*Included in base price

MCE Destination Input (DID) Fixtures (continued)

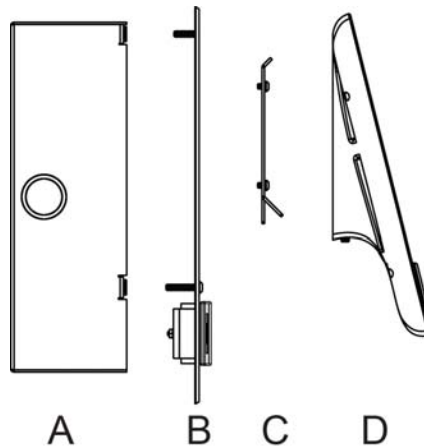
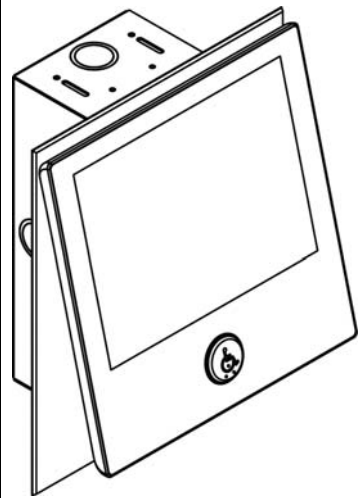
M12a 10.4" Surface Mount New Construction, No Card Reader



A B C D
 Optional Wall/Back Plate

- A: Back Box (included, 1 per fixture)
 (4 11/16" W x 4 11/16" H x 3 1/4" D)
- B: Optional Wall/Back Plate Qty _____
 Color / Finish:
 Stainless #4*
 Muntz #4
- C: Mounting Bracket (included, 1 per fixture)
- D: DID fixture - glass & enclosure:
 Black Qty _____
 White Qty _____

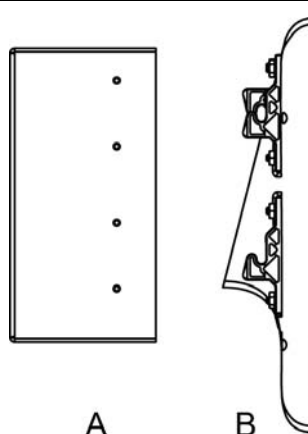
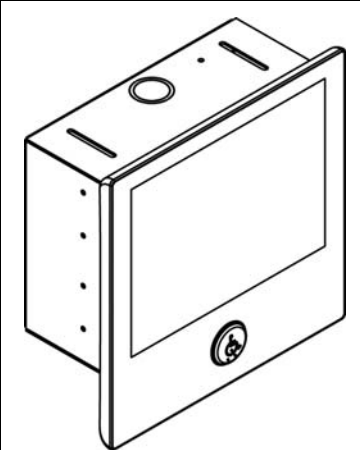
M12b 10.4" Surface Mount New Construction, With Card Reader



A B C D

- A: Back Box (included, 1 per fixture)¹
¹Size based on security card reader selected
- B: Wall/Back Plate (included, 1 per fixture)
 Color / Finish:
 Stainless #4*
 Muntz #4
- C: Mounting Bracket (included, 1 per fixture)
- D: DID fixture - glass & enclosure:
 Black Qty _____
 White Qty _____

M13 10.4" Vertical Mount, No Card Reader

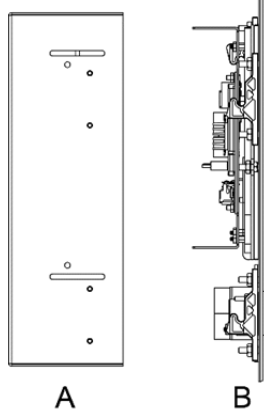
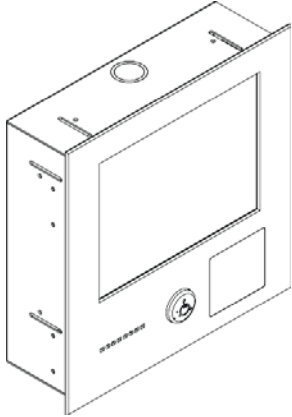


A B

- A: Back Box (included, 1 per fixture)
 (9" W x 7.12" H x 3 1/2" D)
- B: DID fixture - glass & enclosure:
 Black Qty _____
 White Qty _____

Note: Integrated security card reader not available for this model.

*Included in base price

MCE Destination Input (DID) Fixtures (continued)
M14 10.4" Applied Mount, Card Reader Optional

 A: Back Box (included, 1 per fixture)¹
¹Size based on security card reader selected

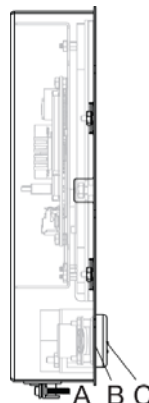
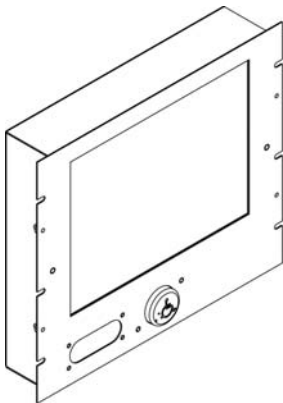
B: 10.4" Applied Mount Fixture Qty _____

Faceplate / ADA Button

Color / Finish:

 Stainless #4*

 Muntz #4

M15 10.4" Frameless, No Card Reader


A: 10.4" Frameless Fixture Qty _____

B: Speaker (included, 1 per fixture)

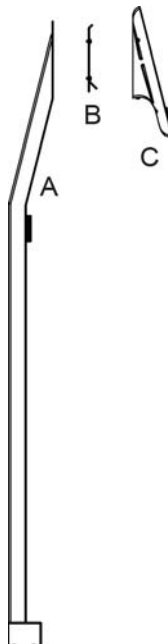
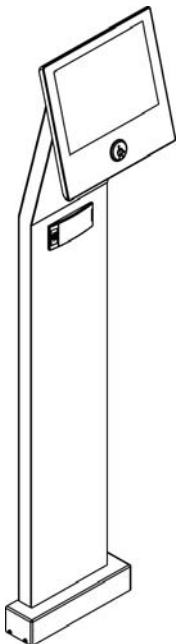
C: ADA Button (included, 1 per fixture)

Color / Finish:

 Stainless #4*

 Muntz #4

Note: Integrated security card reader not available for this model.

M16 10.4" Pedestal, Against the Wall, Card Reader Optional

 A: Pedestal Stand (included, 1 per fixture)
(10" W x 47" H x 6-1/4" D)

B: Mounting Bracket (included, 1 per fixture):

Color/finish:

 Stainless #4*

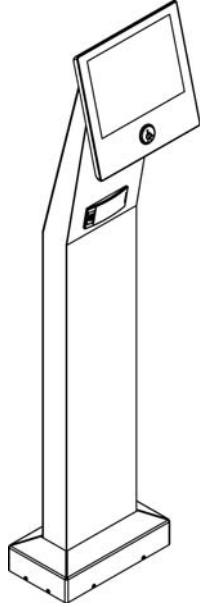
C: DID fixture - glass & enclosure:

 Black Qty _____

 White Qty _____

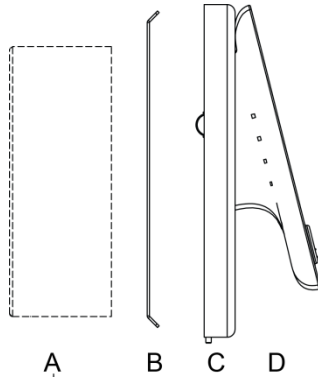
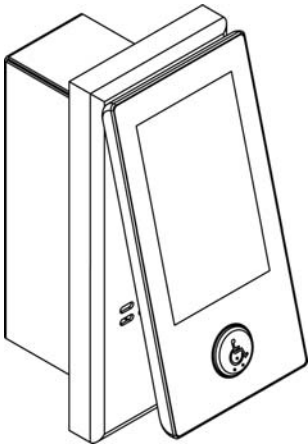
MCE Destination Input (DID) Fixtures (continued)

M17 10.4" Pedestal, Standalone, Card Reader Optional



- A: Pedestal Stand (included, 1 per fixture)
(10-1/2" W x 47" H x 9-1/8" D)
- B: Mounting Bracket (included, 1 per fixture):
Color/finish:
 Stainless #4*
- C: DID fixture - glass & enclosure:
 Black Qty _____
 White Qty _____

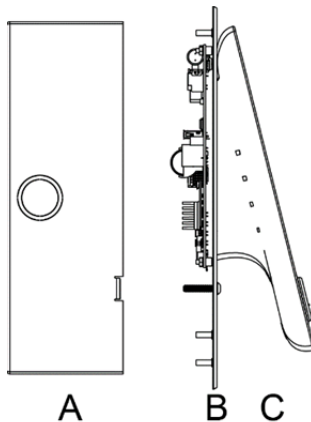
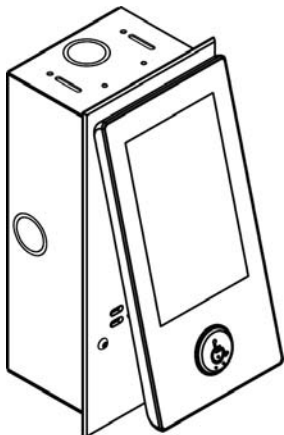
M71 7" Surface Mount Retrofit, Card Reader Optional



Existing Back Box shown. An optional Back Box can be ordered if required.

- A: Optional Back Box Qty _____
(3" W x 9 1/4" H x 3 1/2" D)
- B: Mounting Bracket (included, 1 per fixture)
- C: Fixture base¹
Color / Finish:
 Stainless #4*
- ¹Size based on security card reader selected
- D: DID fixture - glass & enclosure:
 Black Qty _____
 White Qty _____

M72 7" Surface Mount New Construction, Card Reader Optional

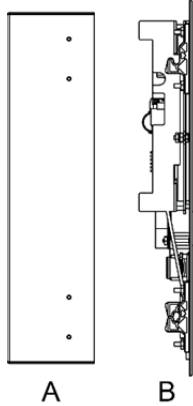
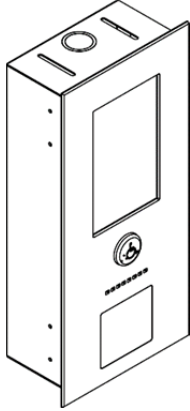


- A: Back Box (included, 1 per fixture)¹
¹Size based on security card reader selected
- B: Face plate (included, 1 per fixture):
Color / Finish:
 Stainless #4*
 Muntz #4
- C: DID fixture - glass & enclosure:
 Black Qty _____
 White Qty _____

*Included in base price

MCE Destination Input (DID) Fixtures (continued)

M73 7" Applied Mount, Card Reader Optional



A: Back Box (included, 1 per fixture)¹
(6.2" W x 12 3/4" H x 3 1/2" D)

¹Size based on card reader selected.

B: DID Fixture Qty _____

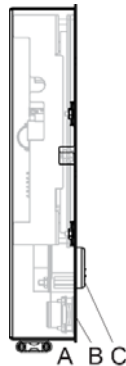
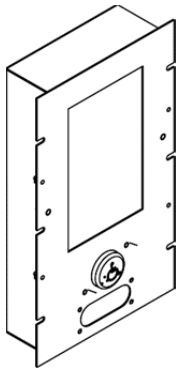
Face plate and ADA Button

Color / Finish:

Stainless #4*

Muntz #4

M74 7" Frameless, No Card Reader



A: DID Fixture Qty _____

B: Speaker (included, 1 per fixture)

C: ADA Button (included, 1 per fixture)

Color / Finish:

Stainless #4*

Muntz #4

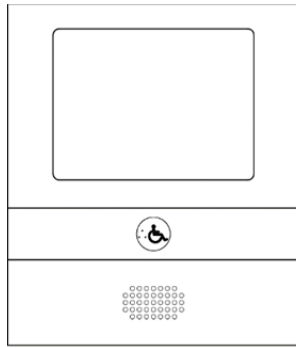
*Included in base price

CE Destination Input Devices

Two different touch screen sizes and a keypad are available. Display is 256 colors, single language. All can be mounted "Applied" (flat bezel with equipment mounted to the wall) or "Surface Mount" (equipment contained within the fixture metal work).

CE Destination Input (DID) Fixtures

C11 CE 10.4" Touch Screen, Surface Mount, Card Reader Optional



Qty : _____

Mounting plate (included, 1 per fixture)

Enclosure: 12" W x 14" H x 3 5/8" D

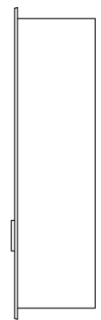
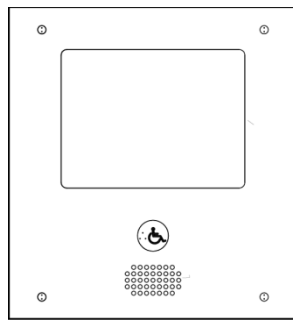
Color / Finish:

- Stainless #4*
- Muntz #4
- Custom (details required)

Security:

- Fill plate
- Smoked plate

C12 CE 10.4" Touch Screen, Applied Mount, Card Reader Optional



Qty : _____

Back box: 12" W x 13" H x 3 1/2" D

Cutout required: 12 1/4" W x 13 1/4" H

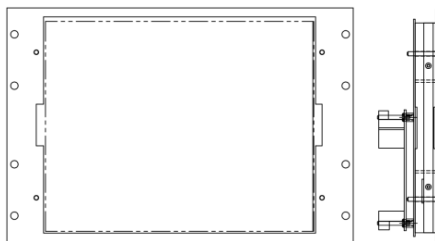
Face plate: 13" W x 14" H

Color / Finish:

- Stainless #4*
- Muntz #4
- Custom (details required)

C13 CE 10.4" Frameless

**Customer Supplied
Enclosure**



Qty _____

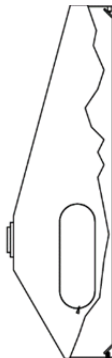
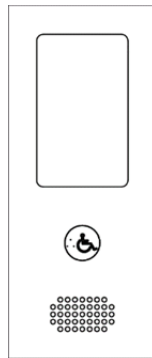
 Speaker

Qty _____

 USB programming extension cable

Qty _____

C71 CE 7" Touch Screen, Surface Mount, Card Reader Optional



Qty : _____

Mounting plate: (included, 1 per fixture)

Enclosure: 5 3/4" W x 14" H x 4" D

Color / Finish:

- Stainless #4*
- Muntz #4
- Custom (details required)

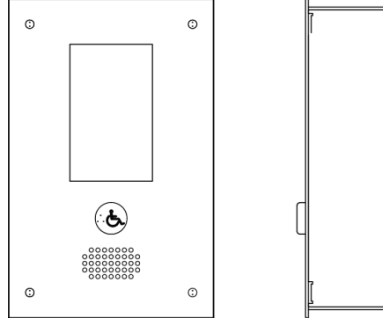
Security:

- Fill plate
- Smoked plate

*Included in base price

CE Destination Input (DID) Fixtures (continued)

C72 CE 7" Touch Screen, Applied Mount, Card Reader Optional



Qty : _____

Back Box: 8" W x 13" H x 3 1/2" D

Cutout required: 8 1/4" W x 13 1/4" H

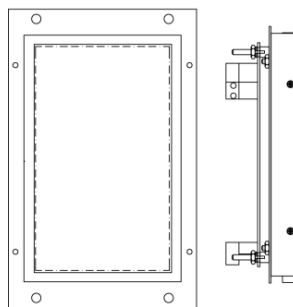
Face plate: 9" W x 14" H

Color / Finish:

- Stainless #4*
- Muntz #4
- Custom (details required)

C73 CE 7" Frameless

**Customer Supplied
Enclosure**



Qty _____

- Speaker
- USB programming extension cable

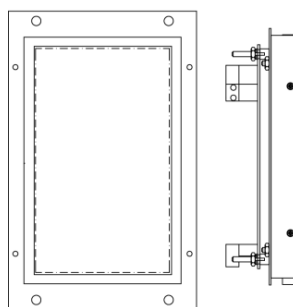
Qty _____

Qty _____

Turnstile Fixtures

T1 7" Turnstile, With Card Reader

**Customer Supplied
Enclosure**



Qty _____

- Speaker
- USB programming extension cable

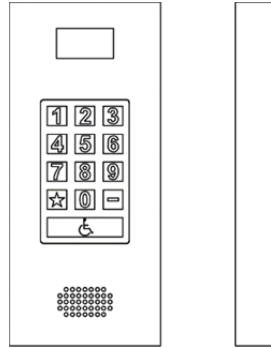
Qty _____

Qty _____

*Included in base price

CE Destination Input (DID) Fixtures (continued)

K1 CE Keypad, Flat Surface Mount



Qty _____

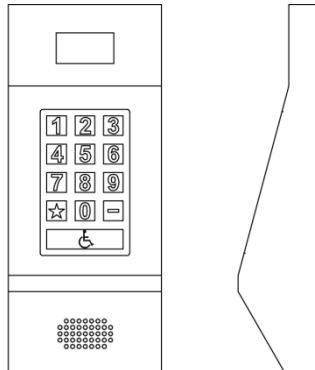
Mounting plate: (included, 1 per fixture)

Enclosure: 7" W x 16" H x 1 7/8" D

Color / Finish:

- Stainless #4*
- Muntz #4
- Custom (details required)

K2 CE Keypad, Angled Surface Mount



Qty _____

Mounting plate: (included, 1 per fixture)

Enclosure: 7" W x 16.75" H x 4" D

Color / Finish:

- Stainless #4*
- Muntz #4
- Custom (details required)

Dimensions are intended for layout approximation only. Construction drawings are provided with equipment. *Included in base price

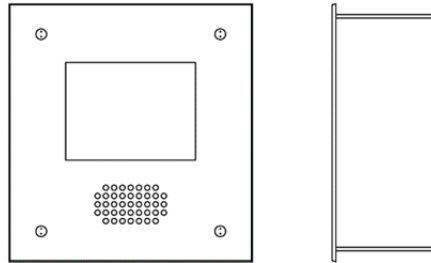
Per-Car Hall Fixtures

Per-Car Hall Fixtures identify the car, display the floors it is traveling to, and provide an identifying tone or message. We provide four options; a 5.7-inch LCD "combo" fixture with an 8-ohm speaker.

LCD Destination/Car Annunciator/Messaging/Arrival PI

H1 5.7" LCD Destination, Car Annunciator, Messaging, Arrival PI

Qty: _____



ADA tones & voice messages included.

8-ohm speaker provided.

Cutout required. 7 3/4" W x 8 1/4" H

Back box: 7 1/2" W x 8" H x 3 1/2" D

Face plate: 8 1/2" W x 9" H

Color / Finish:

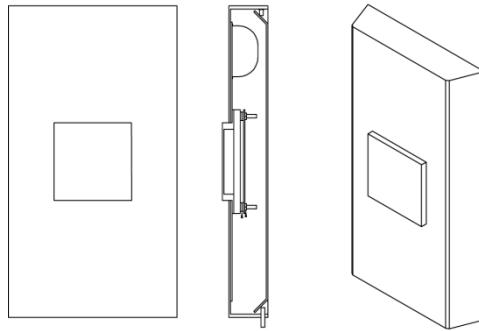
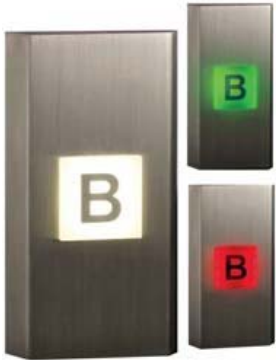
- Stainless #4*
- Muntz #4
- Custom (details required)

Note: Other sizes and options available. See your sales representative.

Annunciators

H2 mBox / mLBox Hall Fixture Surface Mount

Qty: _____


 Size: mBox mLBox

Floor gong

 Voice board (option for voice messages)

Mounting plate: (included, 1 per fixture)

Fixture: 6 1/2" W x 12" H x 1 1/2" D

Orientation:

Mounting Style:

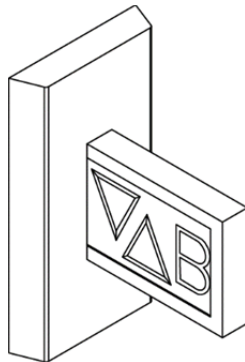
- Vertical Applied
- Horizontal Surface

Color / Finish:

- Stainless #4*
- Muntz #4
- Custom (details required)

H3 mFlag Hall Fixture Surface mount

Qty: _____



Surface mount

Includes floor gong

 Voice board

Mounting plate: (included, 1 per fixture)

Fixture: 6 1/2" W x 12"H x 8 1/2" D

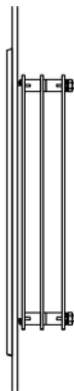
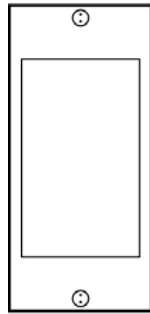
Color / Finish:

- Stainless #4*
- Muntz #4
- Custom (details required)

In-Car Fixtures

In-Car fixtures include a 4.3-inch LCD destination/arrival display or a vertical destination indicator. The LCD has an 8-ohm speaker output. It is highly recommended to have a pair of one of these fixture types per car along with a single speaker.

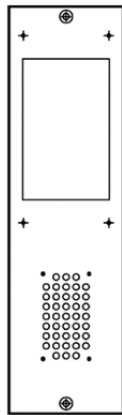
D1 4.3" LCD Display Applied Mount



Qty per car: _____

- PI indication.
- Passing chime output
- 8-ohm speaker output
- Alternates PI/Destination floor display
- Cutout required: 3.137" W x 6.062" H
- Face plate: 3 7/8" W x 7 1/2" H
- Color / Finish:
 - Stainless #4*
 - Muntz #4
 - Custom (details required)

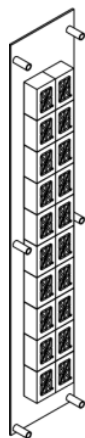
D2 4.3" LCD Display Applied Mount with Speaker



Qty per car: _____

- PI indication.
- Passing chime output
- 8-ohm speaker output
- Alternates PI/Destination floor display
- Cutout required: 3.137" W x 6.062" H
- Face plate: 3 7/8" W x 12 1/2" H
- Color / Finish:
 - Stainless #4*
 - Muntz #4
 - Custom (details required)

D5 / D6 Door Jamb Vertical Destination Indicator Applied Mount



Qty per car: _____

- Scrolling if display length exceeded
- Trailing dot indicates next floor
- A: 1/2" Display Fixture: 3" W x 10" H*
- 1" Display Fixture: 3.25" W x 17" H
- Display characters color:
 - Blue Green Red
- B: Face plates for:
 - 1/2" Display Fixture: 2 3/4" W x 10 1/4" H*
 - 1" Display Fixture: 3 1/4" W x 17" H
- Color / Finish:
 - Stainless #4*
 - Muntz #4
 - Custom (details required)

*Included in base price