

IMPORTANT

Engineering Bulletin #114 Wiring Change for Magnetek DSD412 SCR Drives on Tricon Controllers

O. Thompson Co.

84-00 73rd Ave. Unit F

Glendale NY 11385

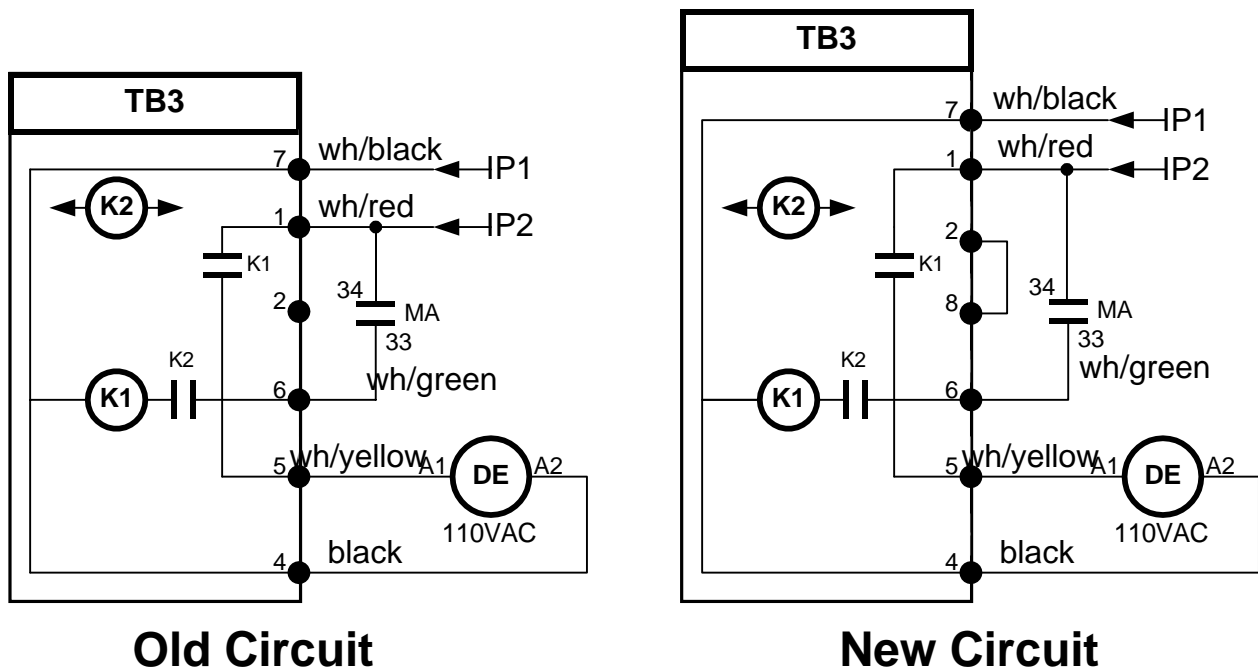
(718) 417-3131

(718) 417-9075 fax

Wiring Change for Magnetek DSD 412 SCR Drives

We have recently found that Tricon controllers using the Magnetek DSD 412 SCR drive are not enunciating all faults to the controller processor. This condition could result in the drive being shut down and the controller processor not knowing it. To correct this, a minor wiring change is required. This change should take about five to ten minutes to perform on each controller, and the only material required is 3 short (about 4") pieces of wire.

First, remove power from the controller. Looking at the front of the drive you will see wiring coming to the left side of the drive near the top. This wiring is adjacent to the drive display. This connector to the drive is TB3. Remove it by pulling it straight out. Install a jumper from TB3-2 to TB3-8. **Please note that the bottom terminal on this connector is pin 1.** After installing the jumper, plug the connector back into the drive. Refer to the diagrams below:

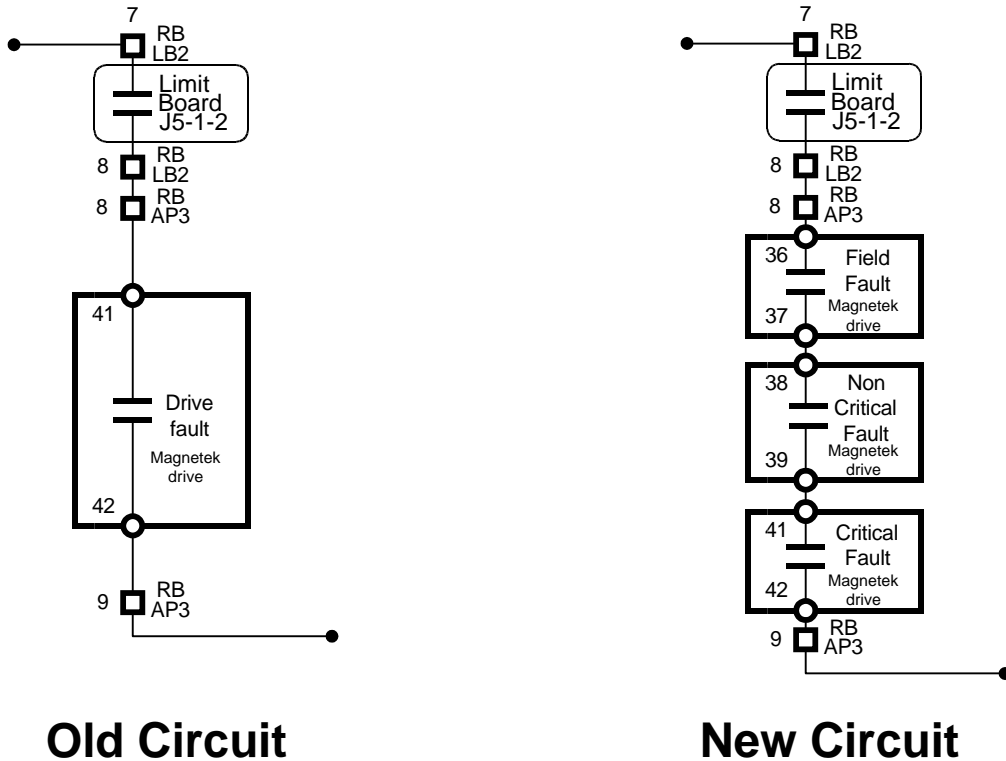


After installing the jumper on TB3-2 to TB3-8, refer to the “Relays Section” of the prints. Locate the “Drive Fault” contact on this page.

© Copyright 2001 O. Thompson Co.

Released 12/20/01

Remove the bottom cover of the front panel on the drive. This will expose terminal block TB1. On the top row of the connector on the right side, locate terminal 41. Remove the wire that is presently connected there and place it in terminal 36. Install a wire from terminal 37 to terminal 38. Install a wire from terminal 39 to terminal 41. Tighten all wiring securely. Refer to the diagram below for the proper connections.



After the wiring is complete, replace the cover on TB1. Restore power to the drive and return the car to service.

If you have any questions about this or any other issue please contact O. Thompson Technical Support at (718) 417-3131.